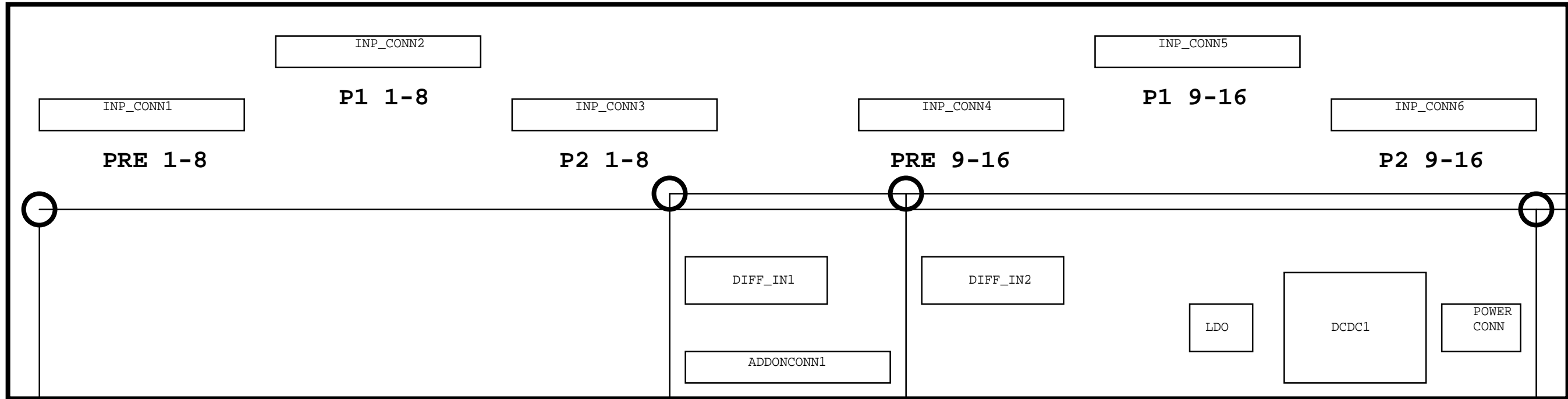
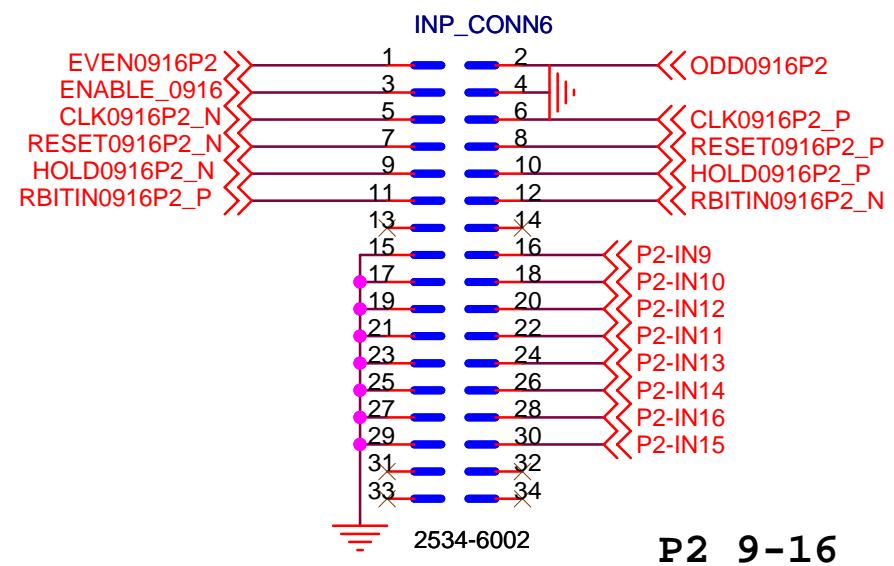
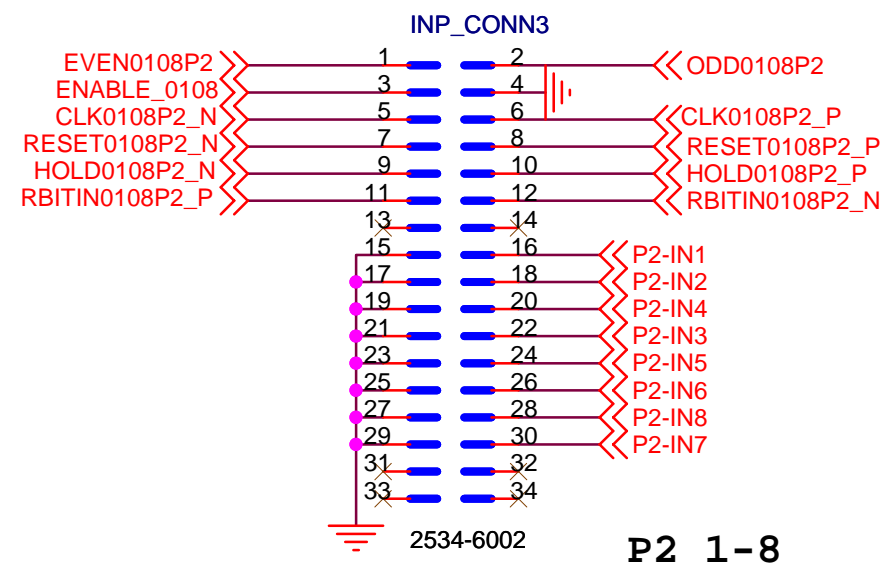
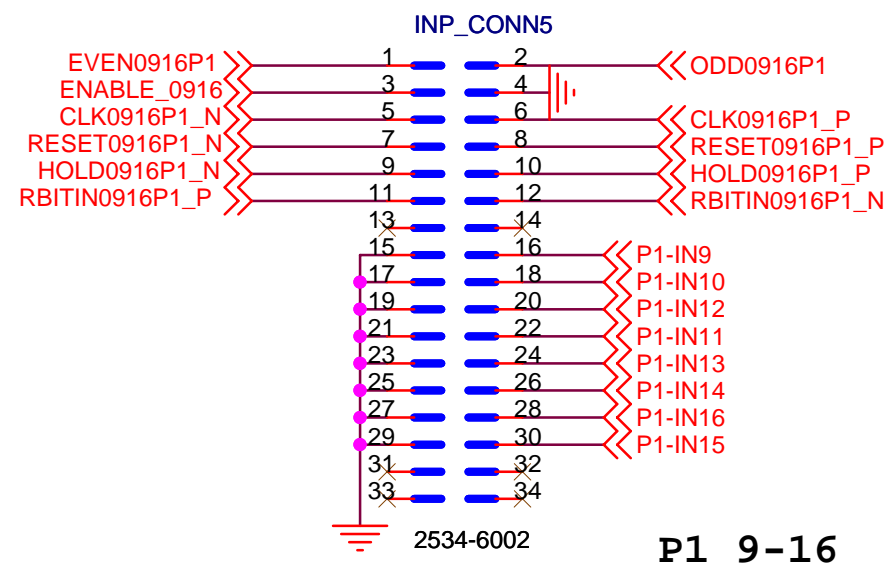
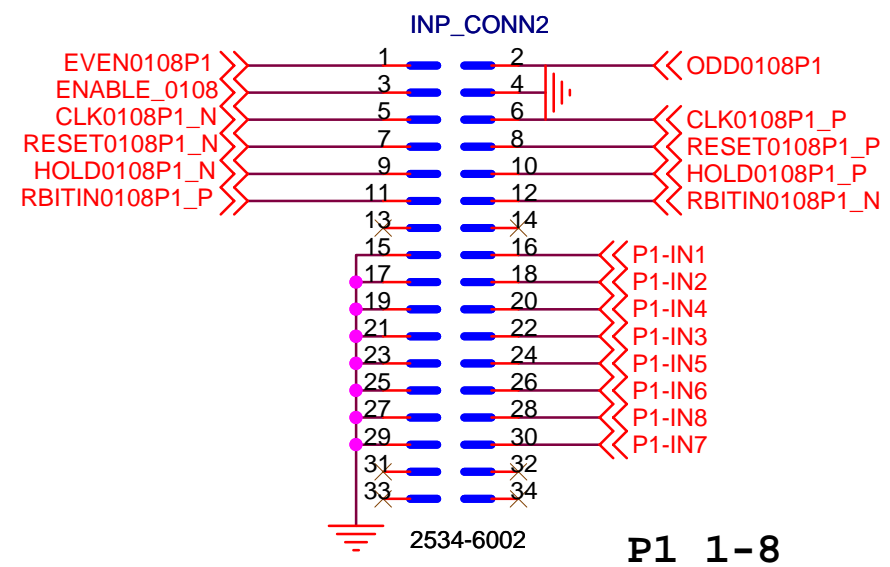
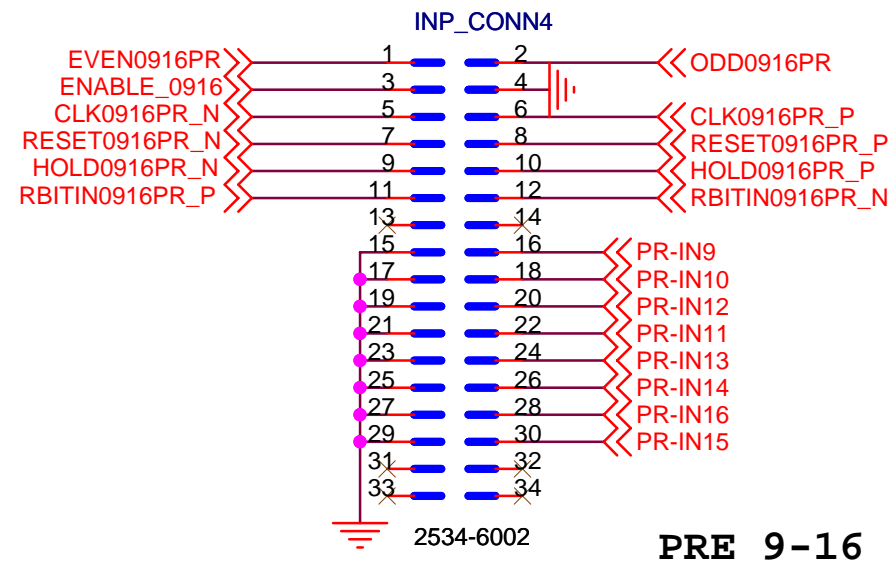
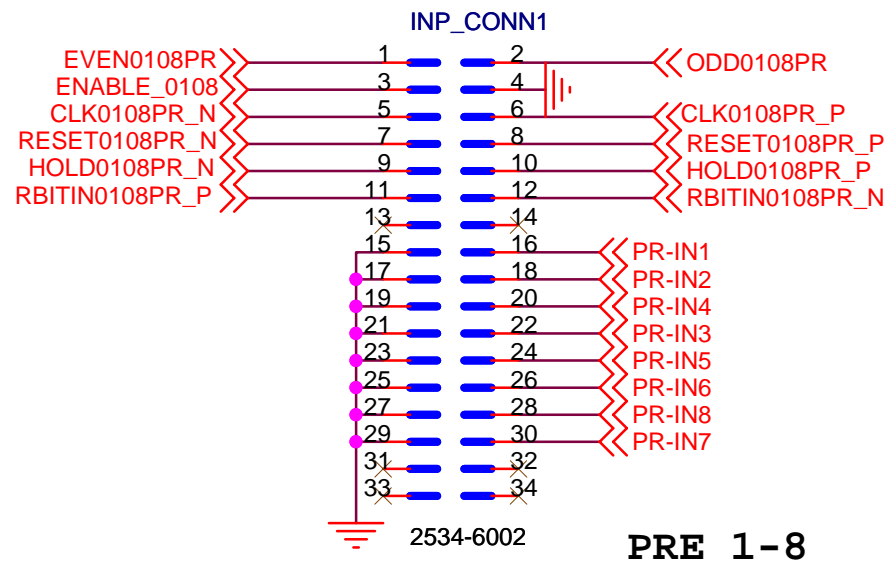


○ mounting hole, diameter 3.5 mm



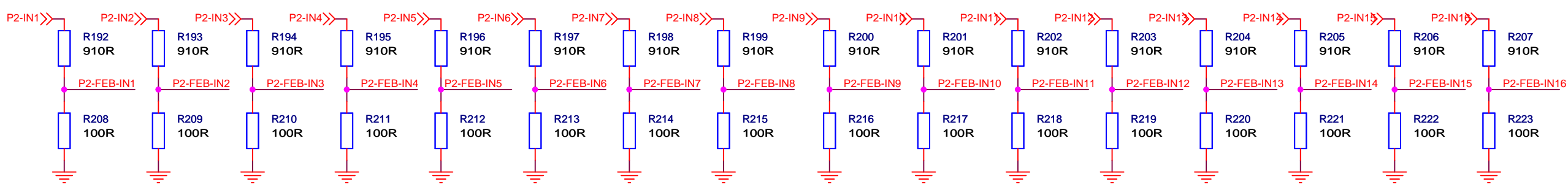
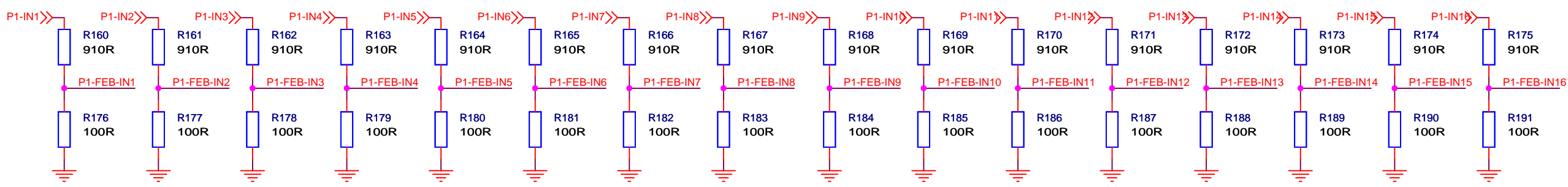
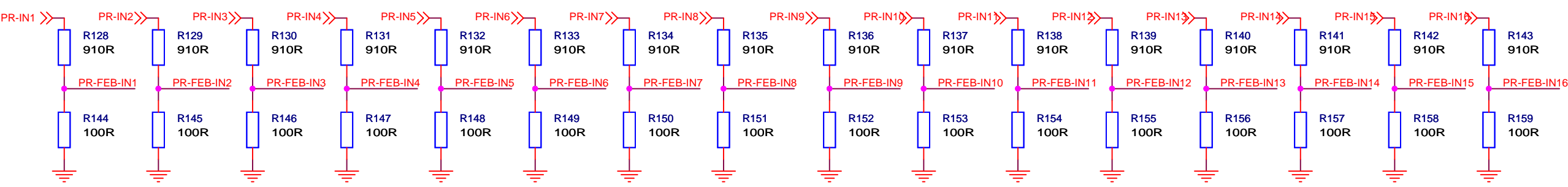
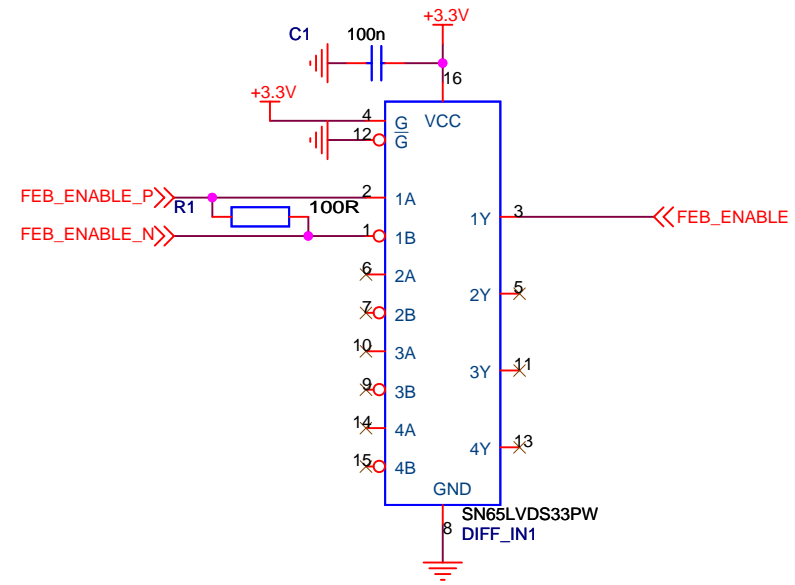
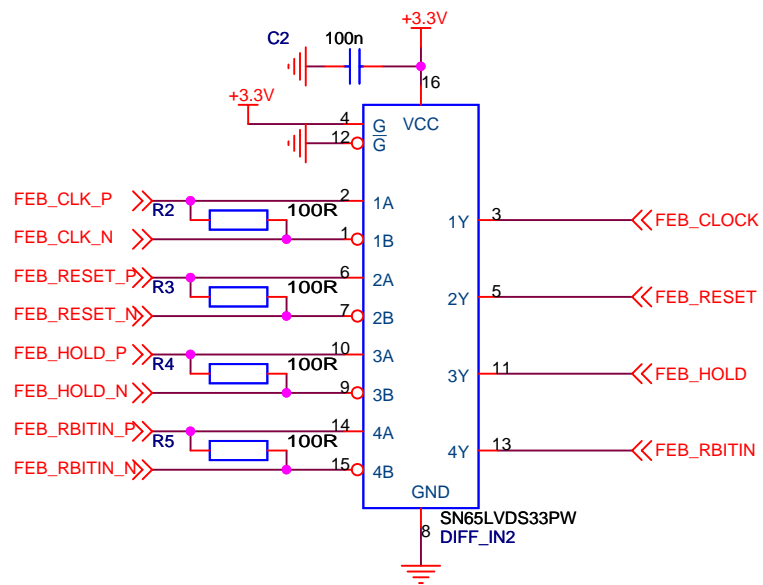
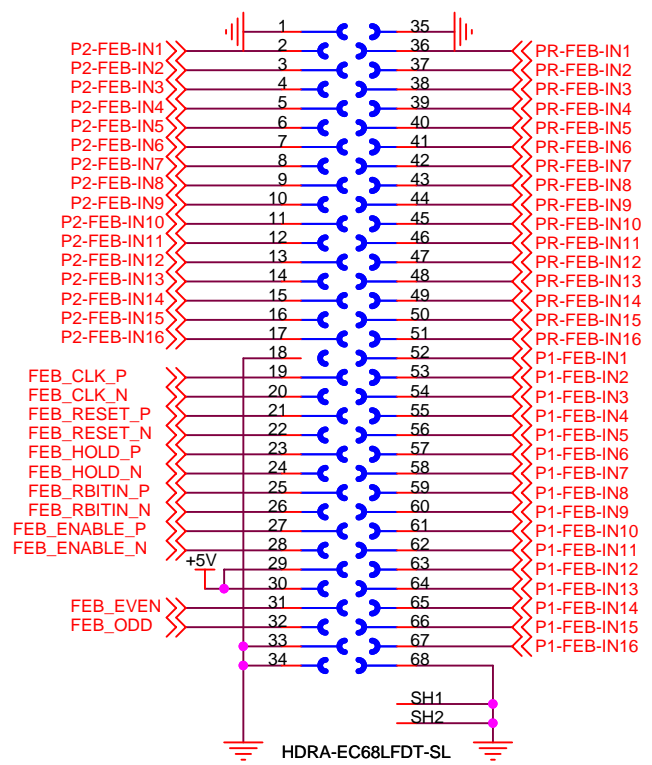
Title		
00_LAYOUT		
Size	Document Number	Rev
A4	<Doc>	<Rev>
Date:	Monday, July 14, 2008	Sheet 1 of 6



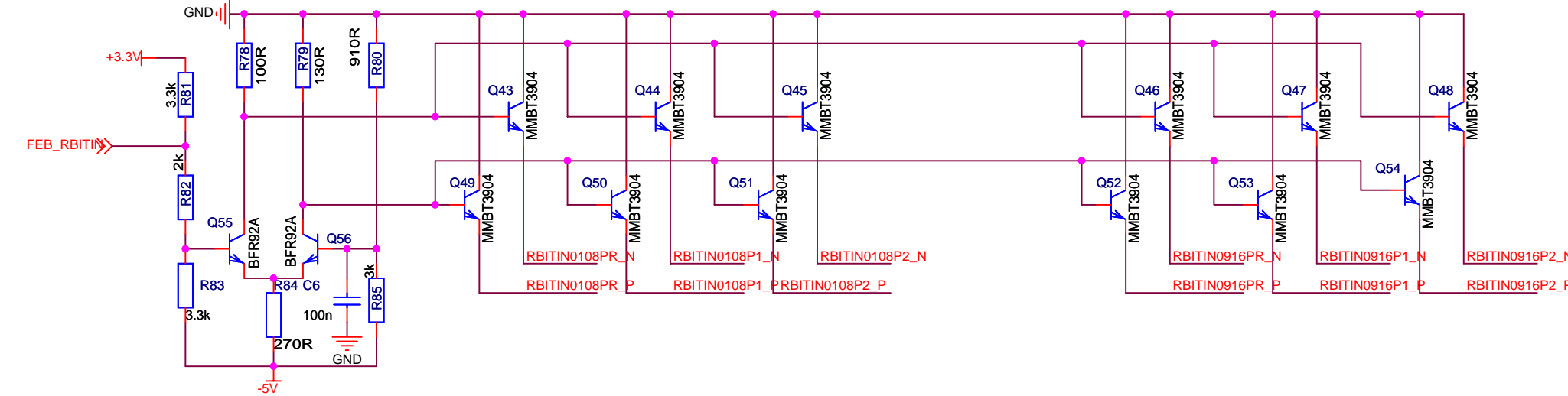
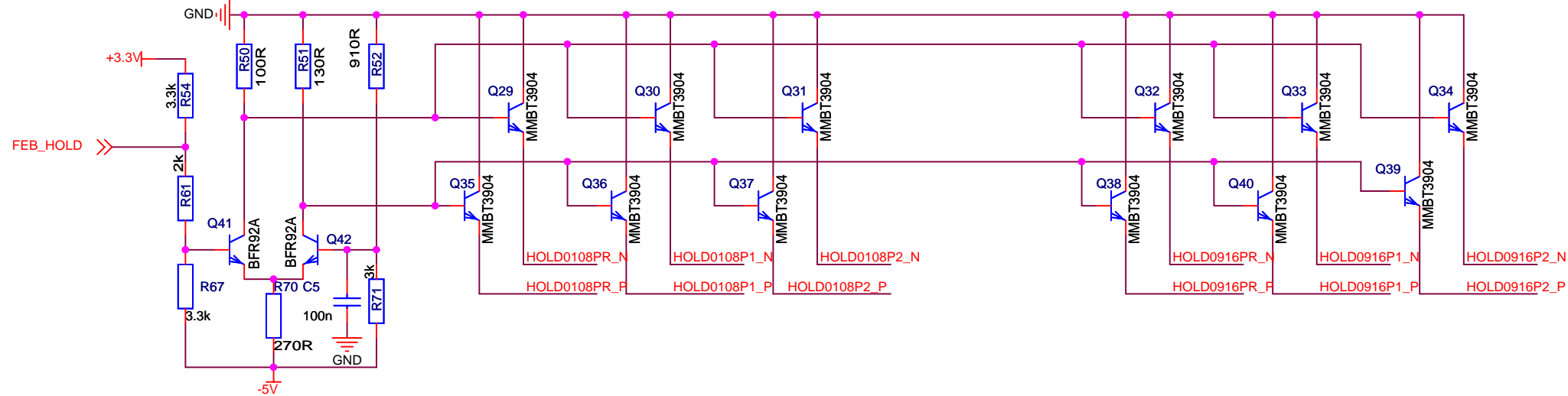
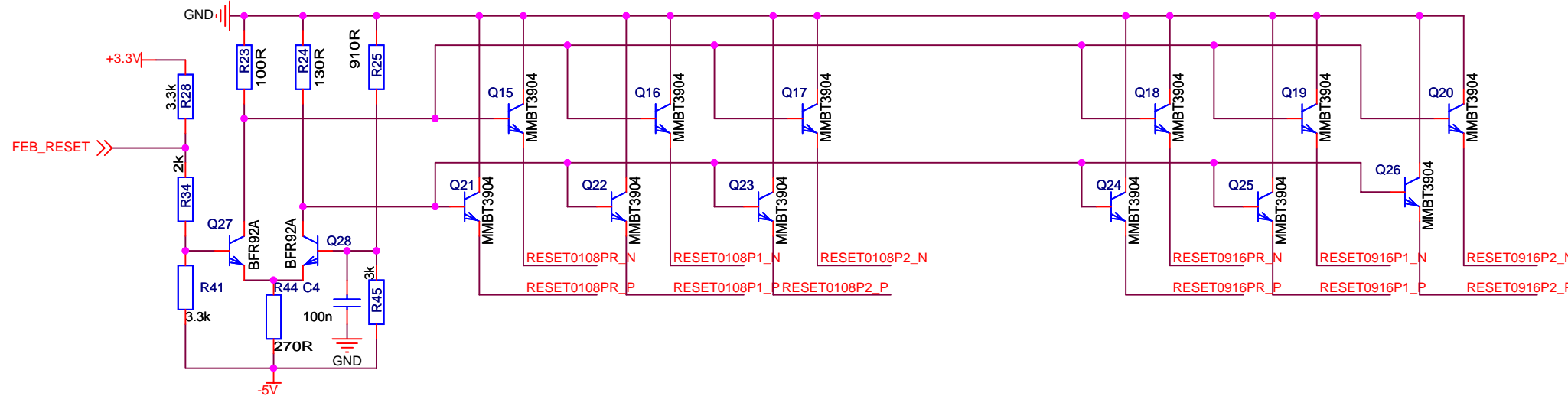
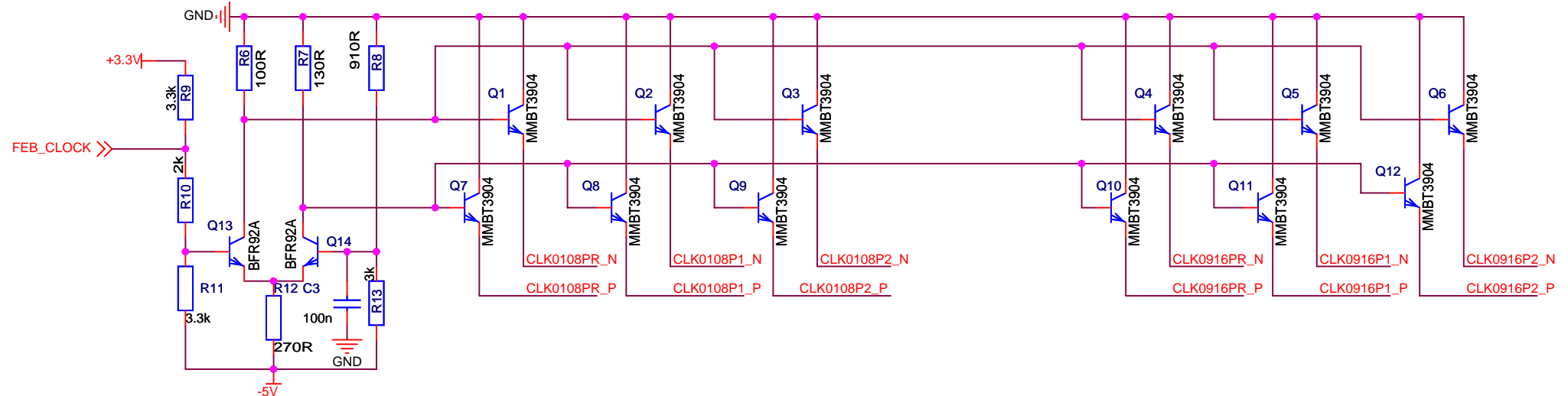
Please, place labels like 'P1 1-8' close to connectors

Title			01_DETECTOR_CONNS		
Size	Document Number				Rev
A4	<Doc>				<RevCo
Date:	Thursday, January 08, 2009	Sheet	2	of	6

ADDONCONN1



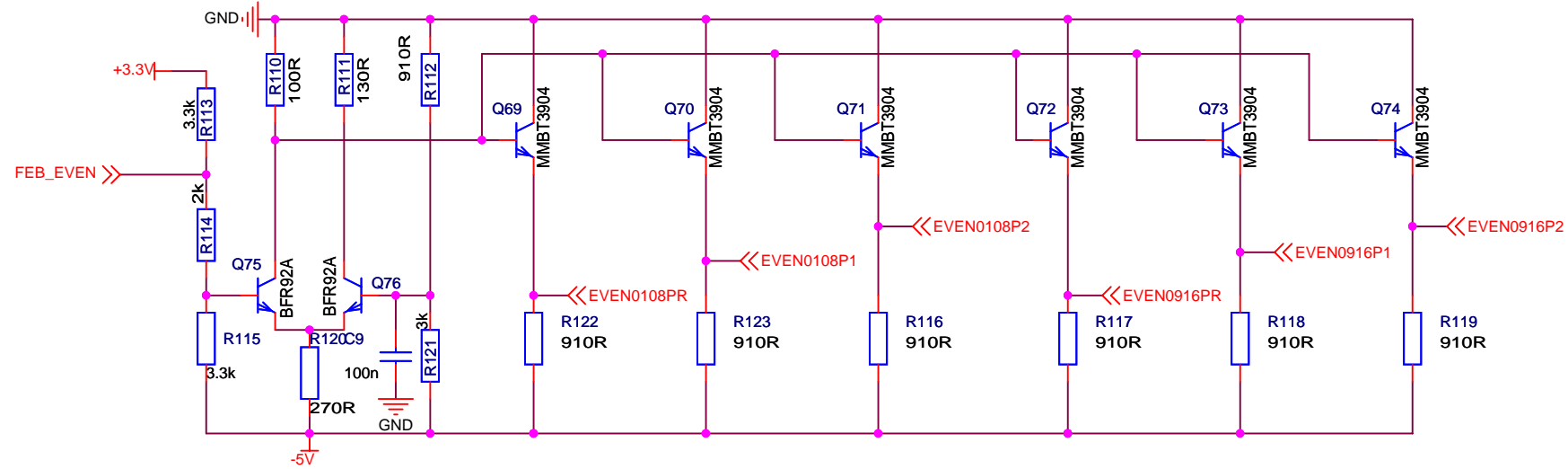
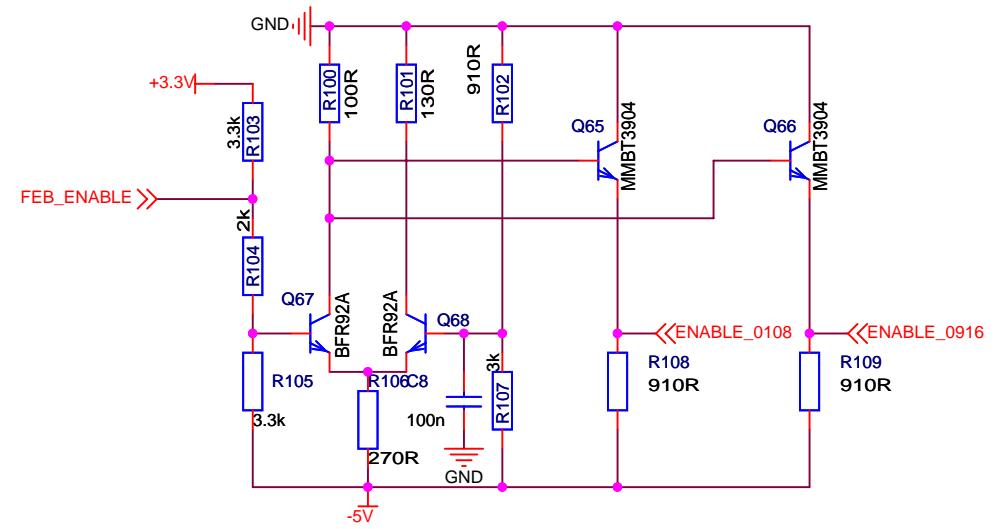
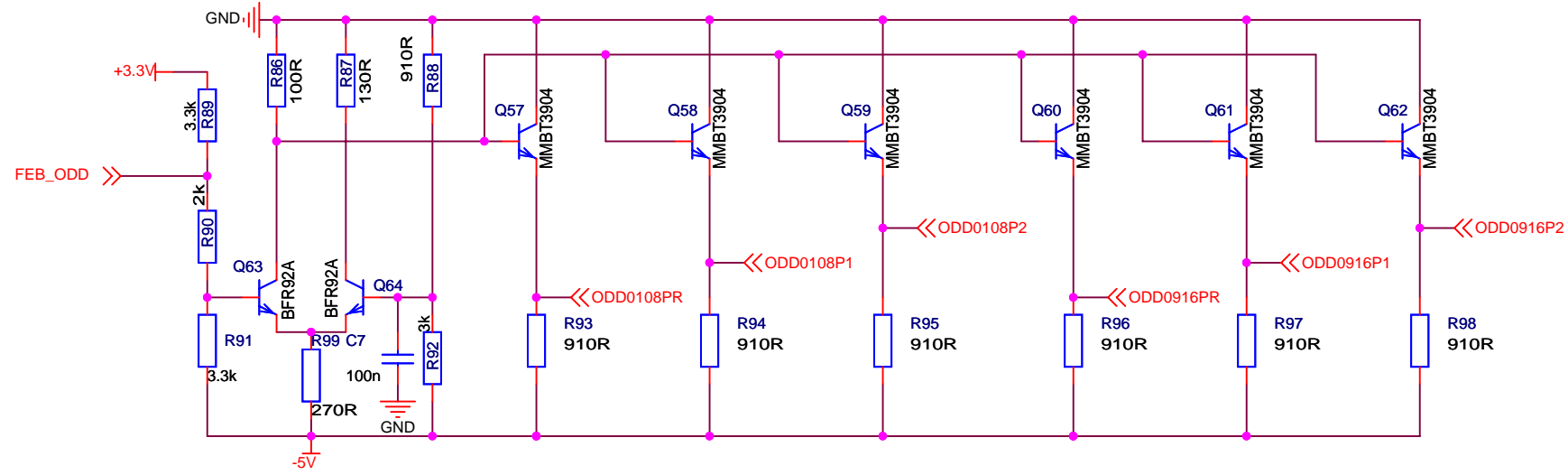
Title			02_ADDON_CONN		
Size	Document Number				Rev
A3	<Doc>				<RevC>
Date:	Thursday, January 08, 2009	Sheet	3	of	6



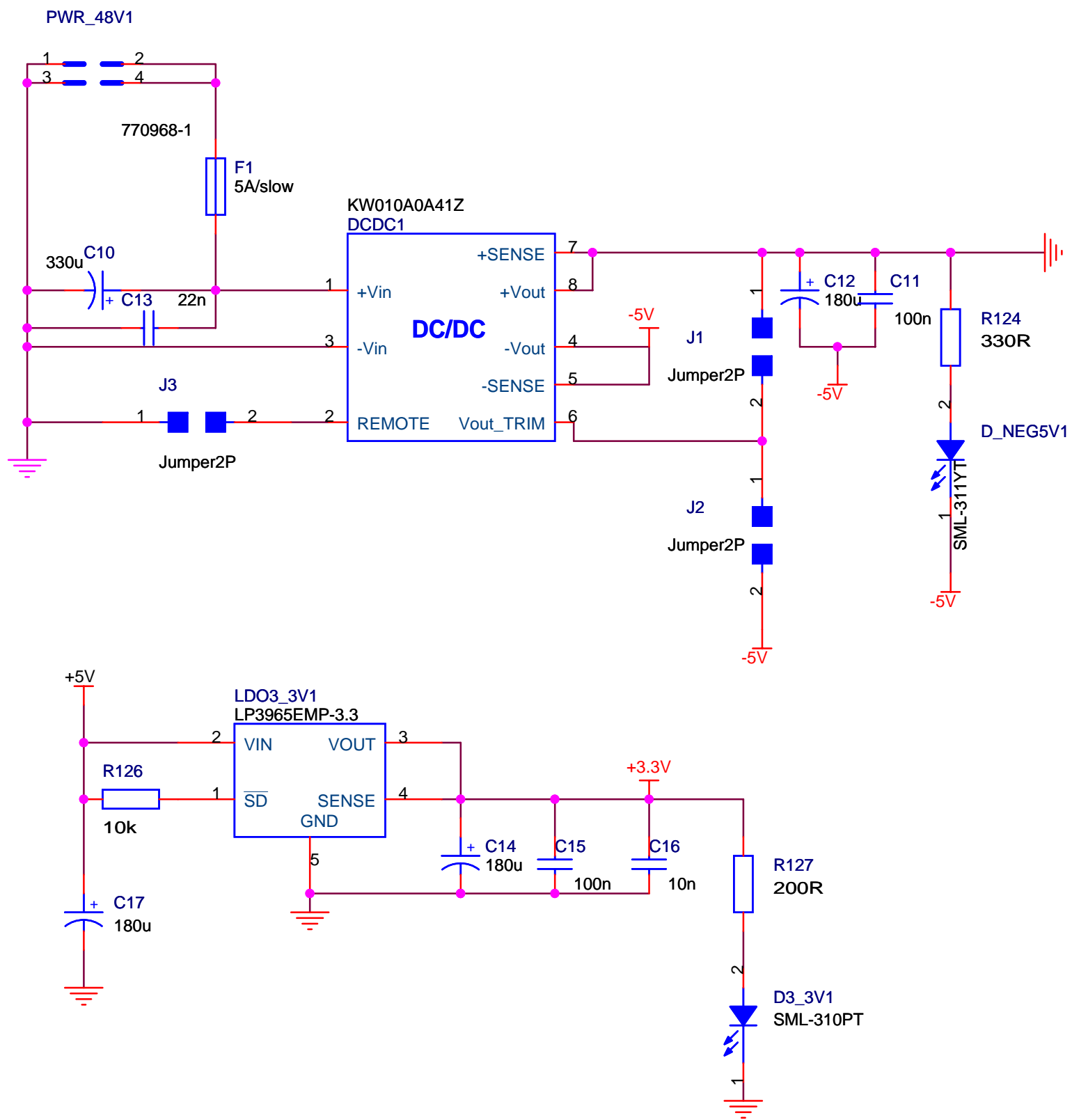
- CLK0108PR_N >> 910R R14
- CLK0108PR_P >> 910R R15
- RESETO108PR_P >> 910R R16
- RESETO108PR_P >> 910R R17
- HOLD0108PR_N >> 910R R18
- HOLD0108PR_P >> 910R R19
- RBITIN0108PR_N >> 910R R20
- RBITIN0108PR_P >> 910R R21
- CLK0108P1_N >> 910R R22
- CLK0108P1_P >> 910R R26
- RESETO108P1_N >> 910R R27
- RESETO108P1_P >> 910R R29
- HOLD0108P1_N >> 910R R30
- HOLD0108P1_P >> 910R R31
- RBITIN0108P1_N >> 910R R32
- RBITIN0108P1_P >> 910R R33
- CLK0108P2_N >> 910R R35
- CLK0108P2_P >> 910R R36
- RESETO108P2_N >> 910R R37
- RESETO108P2_P >> 910R R38
- HOLD0108P2_N >> 910R R39
- HOLD0108P2_P >> 910R R40
- RBITIN0108P2_N >> 910R R42
- RBITIN0108P2_P >> 910R R43

- CLK0916PR_N >> 910R R46
- CLK0916PR_P >> 910R R47
- RESETO916PR_N >> 910R R48
- RESETO916PR_P >> 910R R49
- HOLD0916PR_N >> 910R R53
- HOLD0916PR_P >> 910R R55
- RBITIN0916PR_N >> 910R R56
- RBITIN0916PR_P >> 910R R57
- CLK0916P1_N >> 910R R58
- CLK0916P1_P >> 910R R59
- RESETO916P1_N >> 910R R60
- RESETO916P1_P >> 910R R62
- HOLD0916P1_N >> 910R R63
- HOLD0916P1_P >> 910R R64
- RBITIN0916P1_N >> 910R R65
- RBITIN0916P1_P >> 910R R66
- CLK0916P2_N >> 910R R68
- CLK0916P2_P >> 910R R69
- RESETO916P2_N >> 910R R72
- RESETO916P2_P >> 910R R73
- HOLD0916P2_N >> 910R R74
- HOLD0916P2_P >> 910R R75
- RBITIN0916P2_N >> 910R R76
- RBITIN0916P2_P >> 910R R77

Title			03_ECL_I		
Size	Document Number				Rev
A3	<Doc>				<RevC>
Date:	Thursday, January 08, 2009		Sheet	4	of 6



Title			04_ECL_II		
Size	Document Number				Rev
A3	<Doc>				<RevC
Date:	Thursday, January 08, 2009	Sheet	5	of	6



Title			05_POWER		
Size	Document Number	Rev			
A4	<Doc>	<RevCo			
Date:	Thursday, January 08, 2009	Sheet	6	of	6