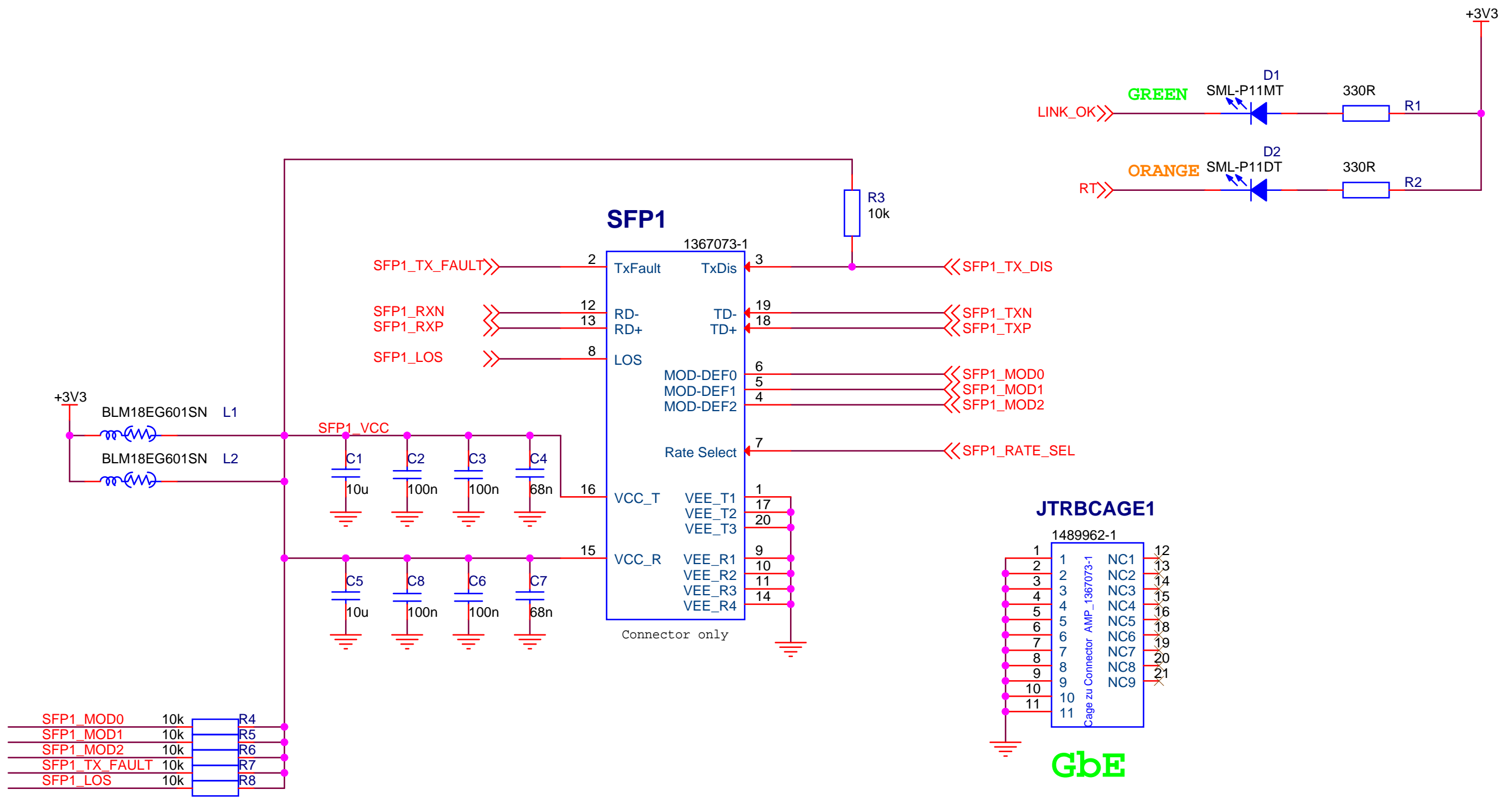


Gesellschaft für Schwerionenforschung mbH  
Planckstrasse 1  
D-64291 Darmstadt  
GERMANY  
www.gsi.de

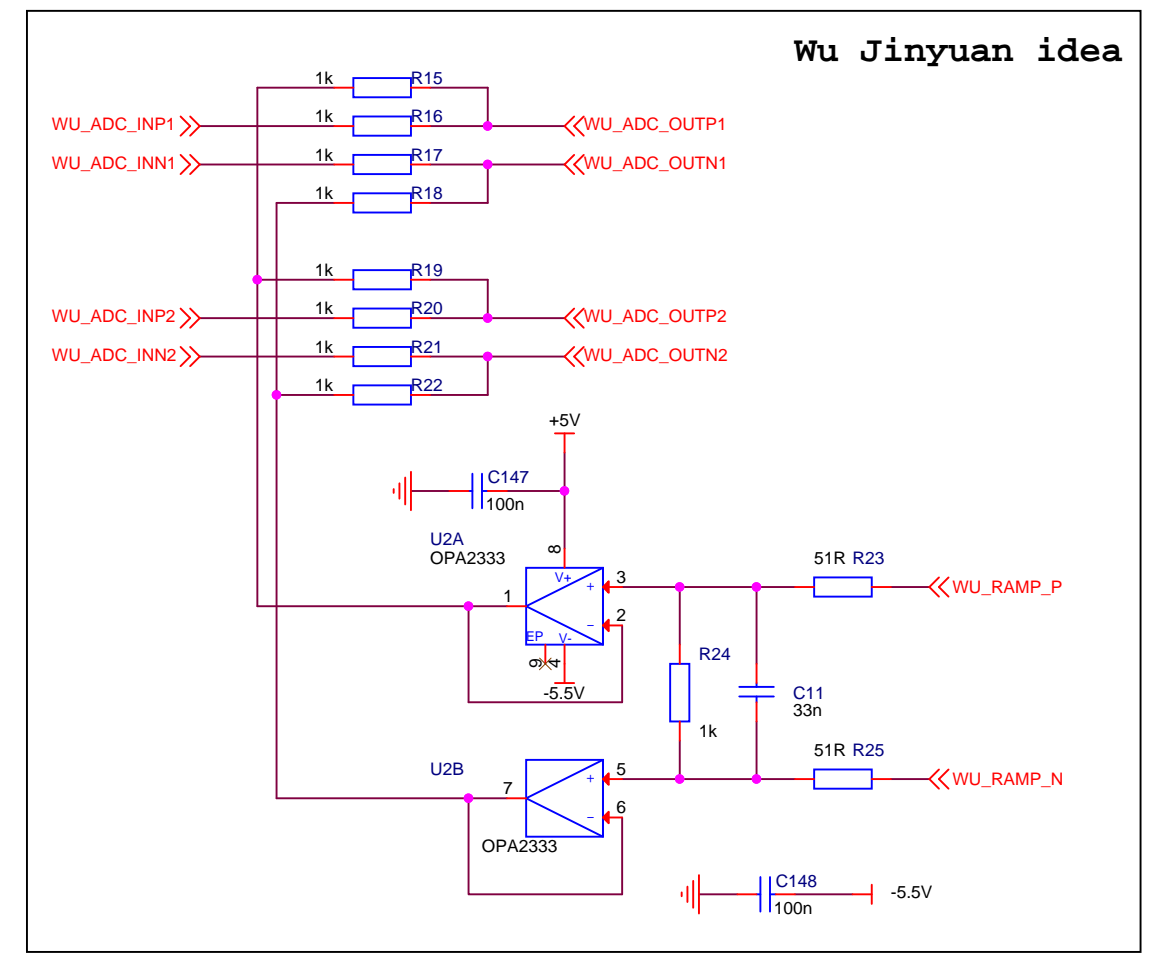
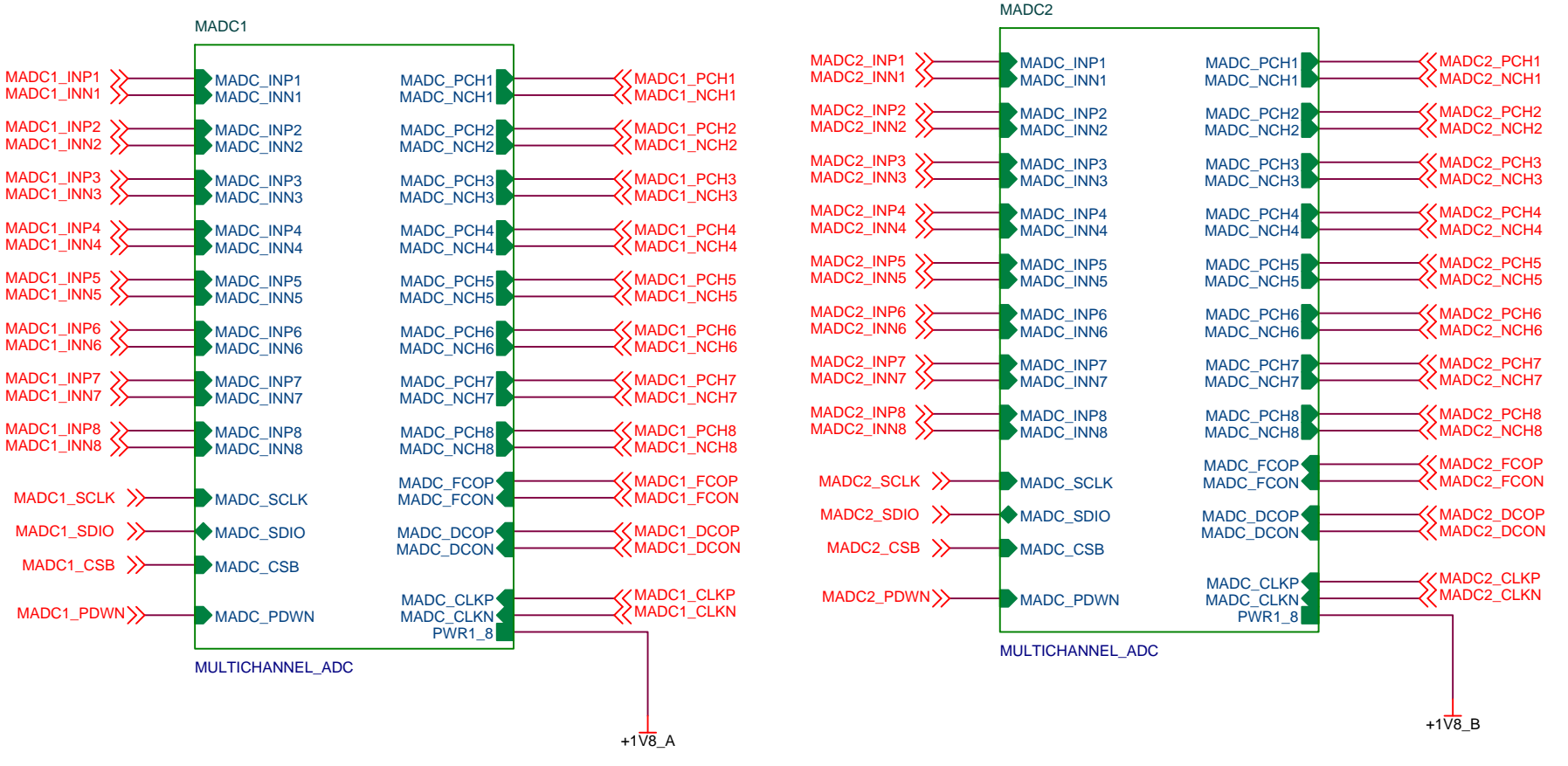
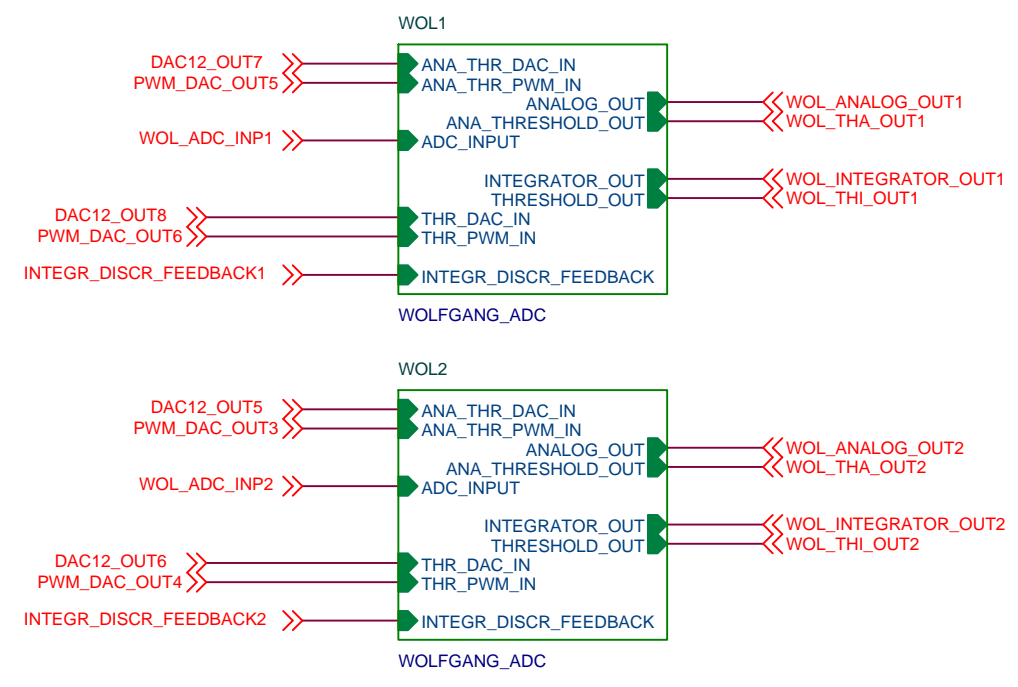
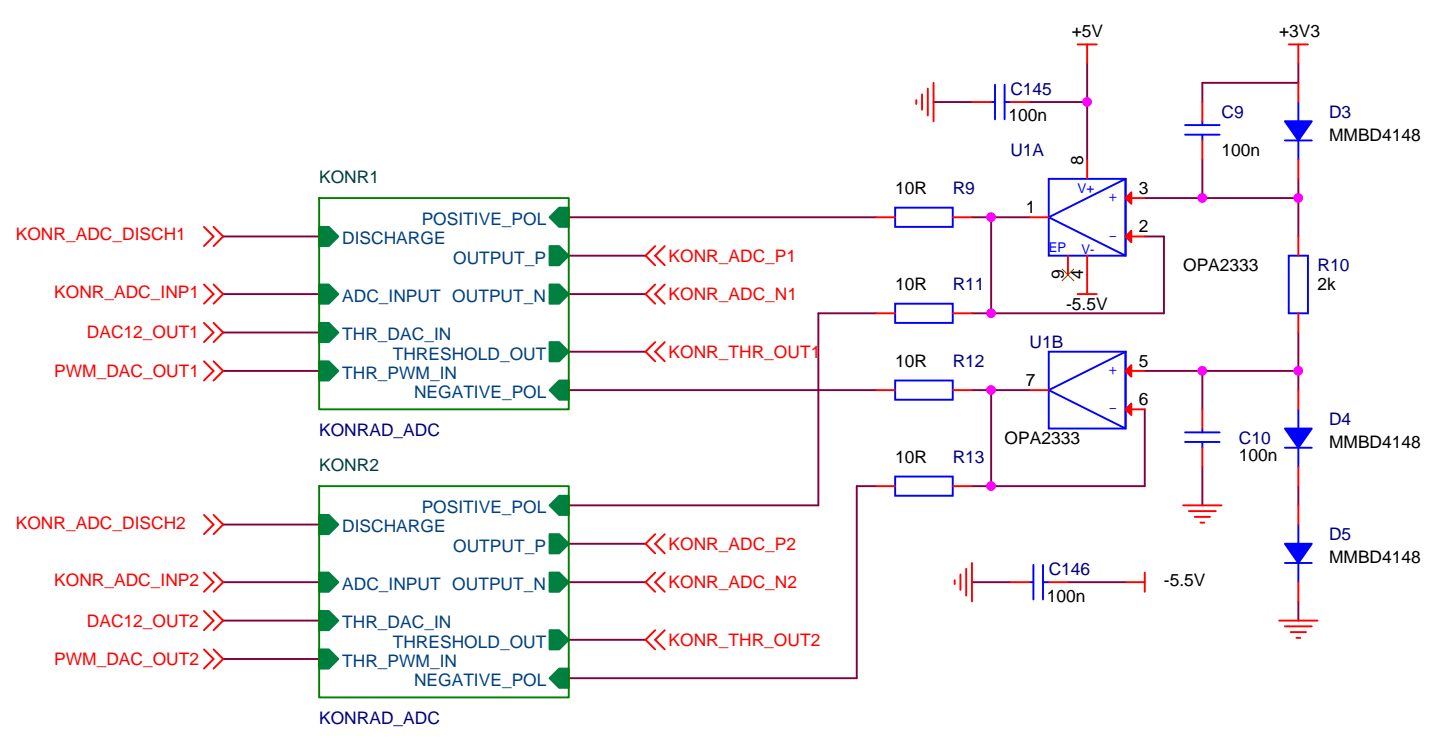
## 01\_FRONT\_CONNECTORS

Design: K:\GSIJOB\HADES\TRBV3\MULTITESTADDON1\MULTITESTADDON1.DSN	Size: A4	Page: 1 / 13
Modified: Wednesday, January 04, 2012	Designer: M.Kajetanowicz      Layouter: S.Voltz	



MODDEF0 is grounded by module when inserted

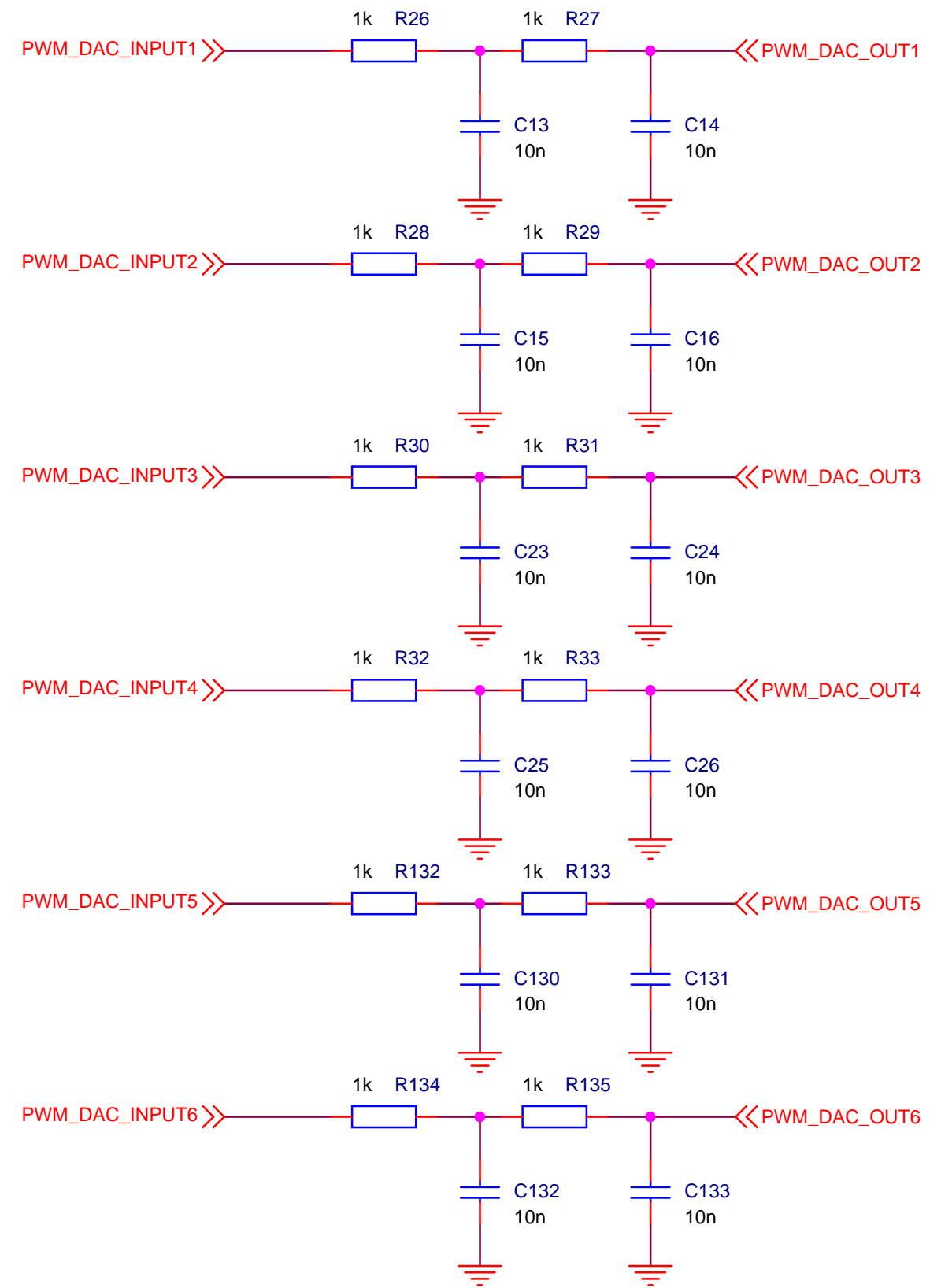
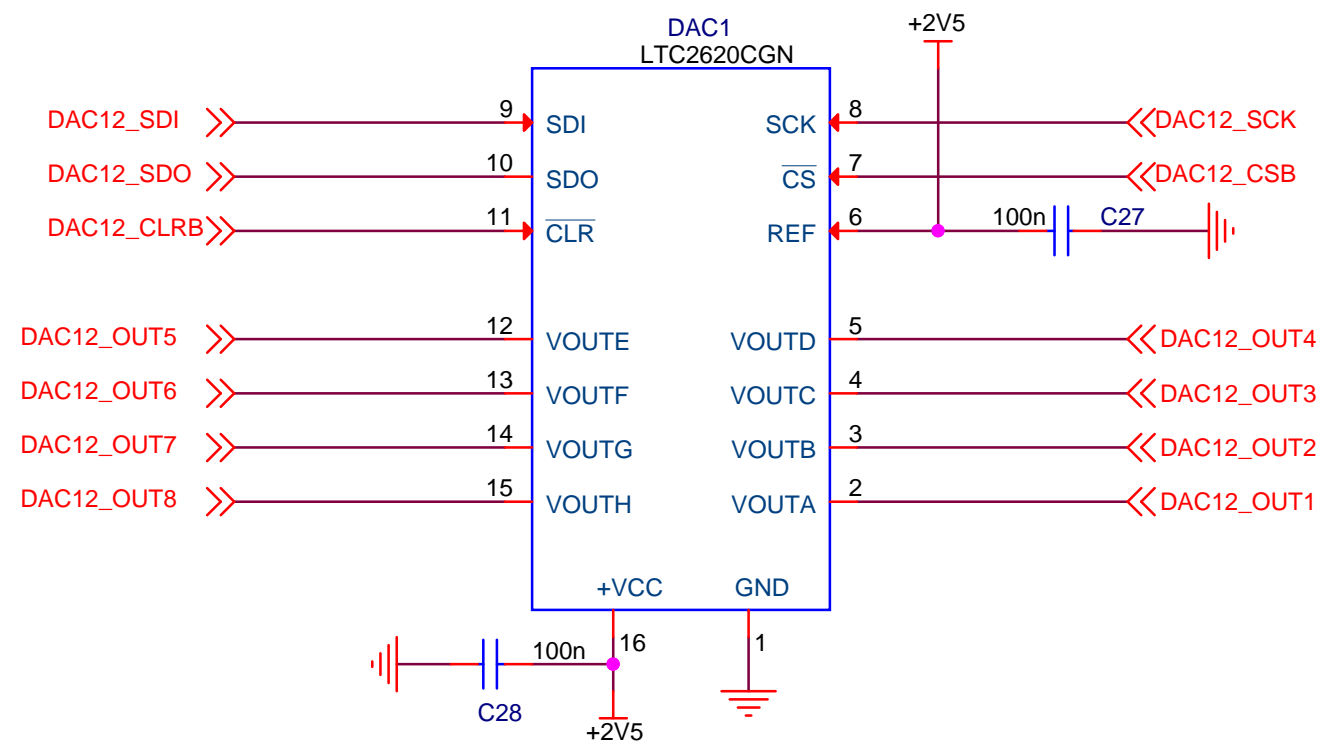
		Gesellschaft für Schwerionenforschung mbH Planckstrasse 1 D-64291 Darmstadt GERMANY www.gsi.de	
		<h2>02_SFP</h2>	
Design: K:\GSIJOB\HADES\TRBV3\MULTITESTADDON1\MULTITESTADDON1.DSN		Modified: Wednesday, January 04, 2012	
Designer: M.Kajetanowicz		Size: A4 Page: 2 / 13	
		Layouter: S.Voltz	



**GSI** Gesellschaft für Schwerionenforschung mbH  
Planckstrasse 1  
D-64291 Darmstadt  
GERMANY  
www.gsi.de

**03\_ADCS**

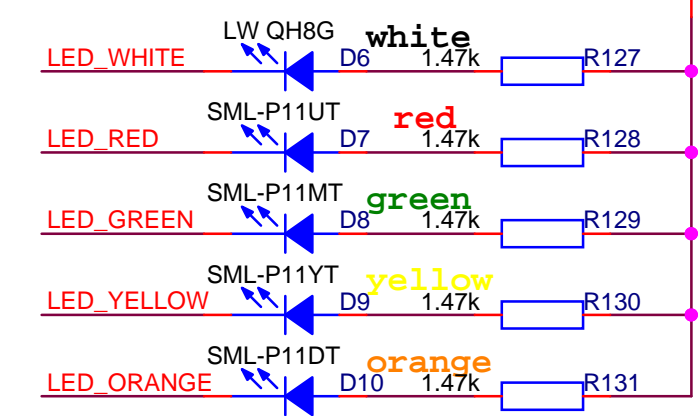
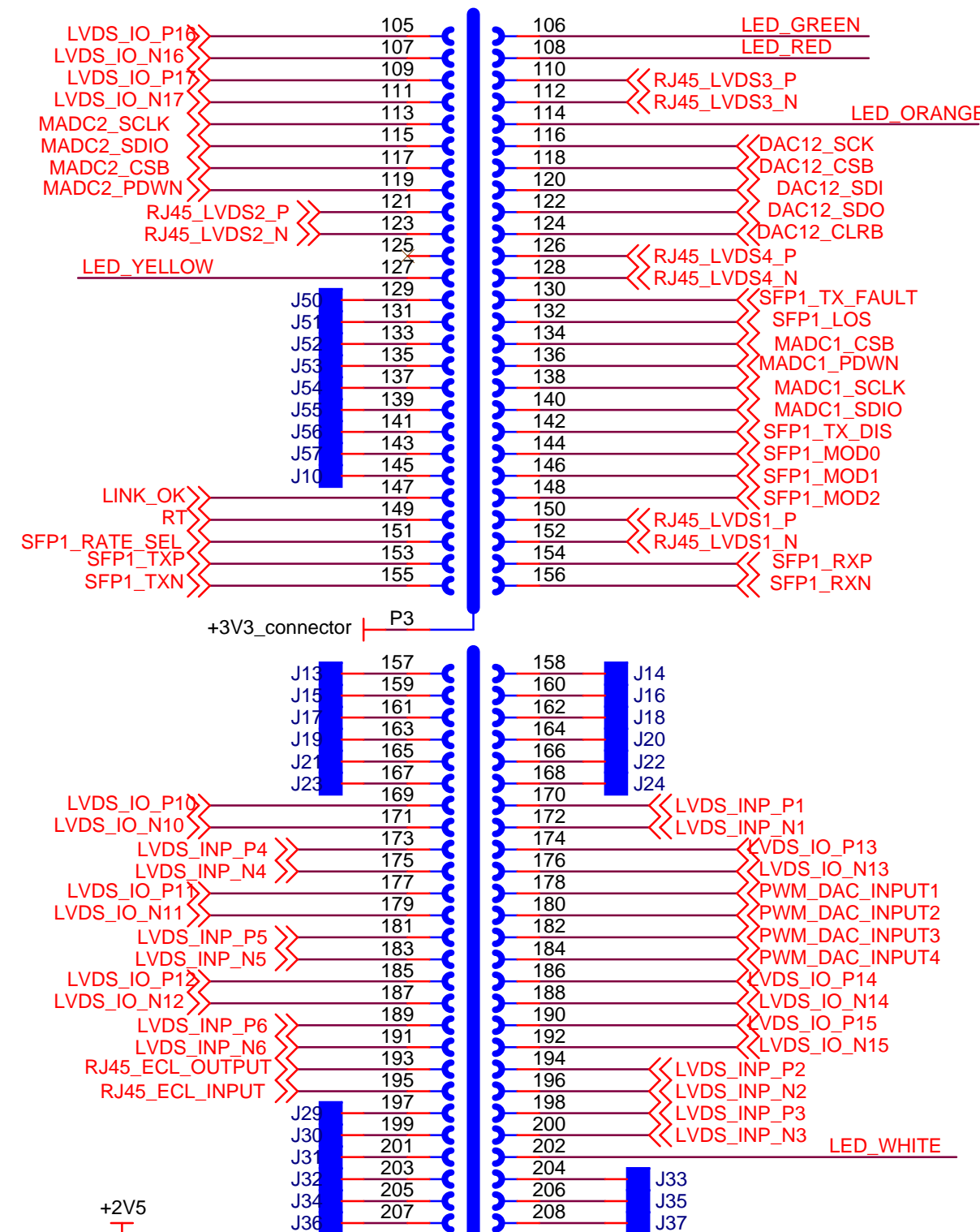
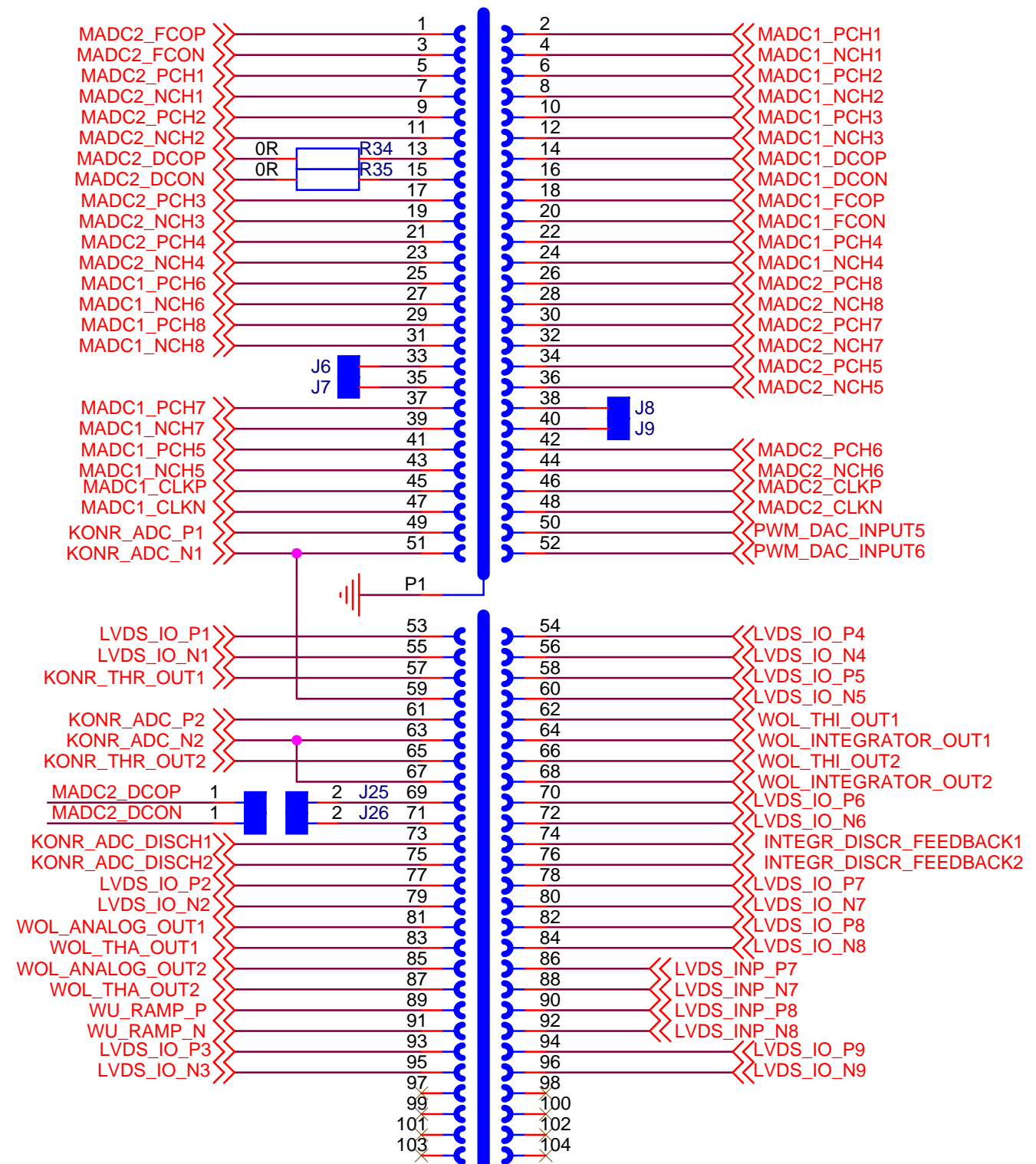
Design: K:\GSI\JOB\HADEST\RBV3\MULTITEST\ADDON1\MULTITEST\ADDON1.DSN	Page: 3 / 13
Modified: Wednesday, January 04, 2012	Size: A3
Designer: M.Kajetanowicz	Layouter: S.Voltz



	Gesellschaft für Schwerionenforschung mbH Planckstrasse 1 D-64291 Darmstadt GERMANY www.gsi.de	
	<h2>04_DACS</h2>	
Design: K:\GSIJOB\HADES\TRBV3\MULTITESTADDON1\MULTITESTADDON1.DSN		
Modified: Wednesday, January 04, 2012		Size: A4 Page: 4 / 13
Designer: M.Kajetanowicz		Layouter: S.Voltz

# TRB\_CONNECTOR1A

# TRB\_CONNECTOR1B

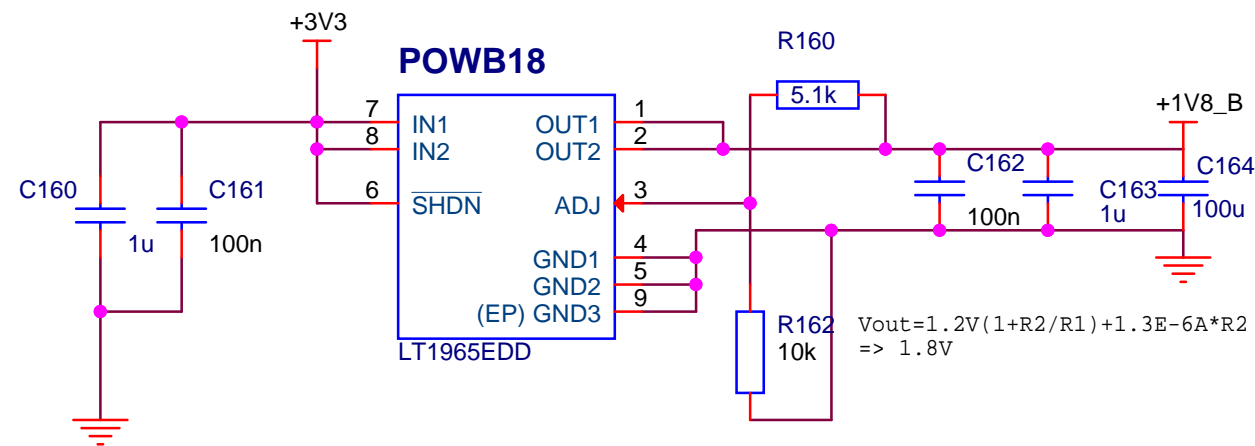
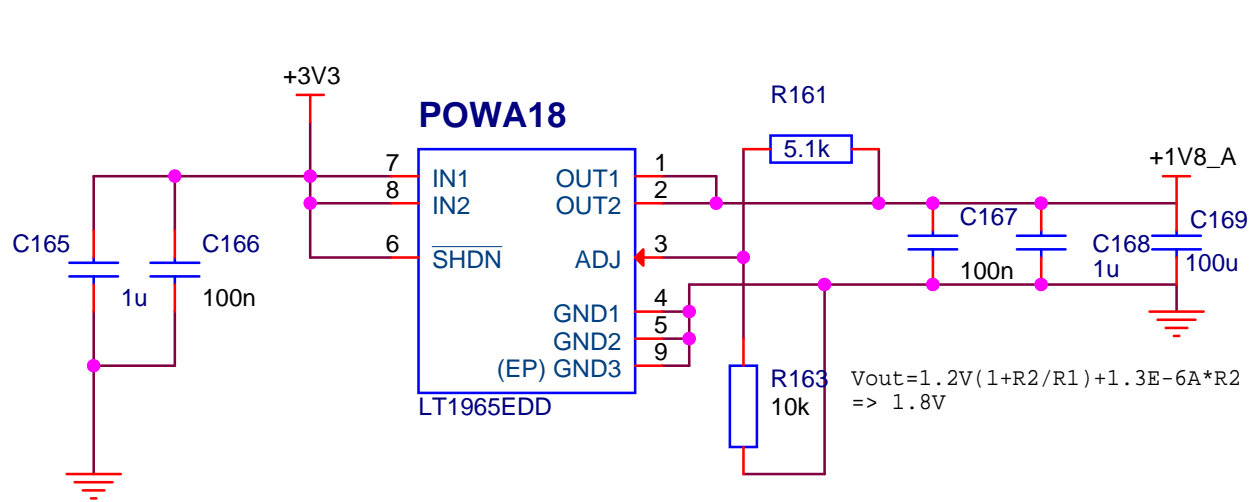
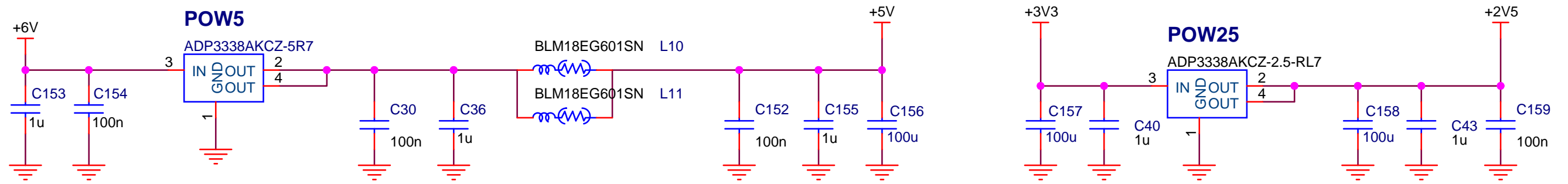
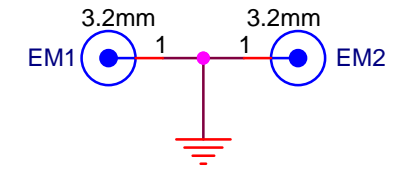
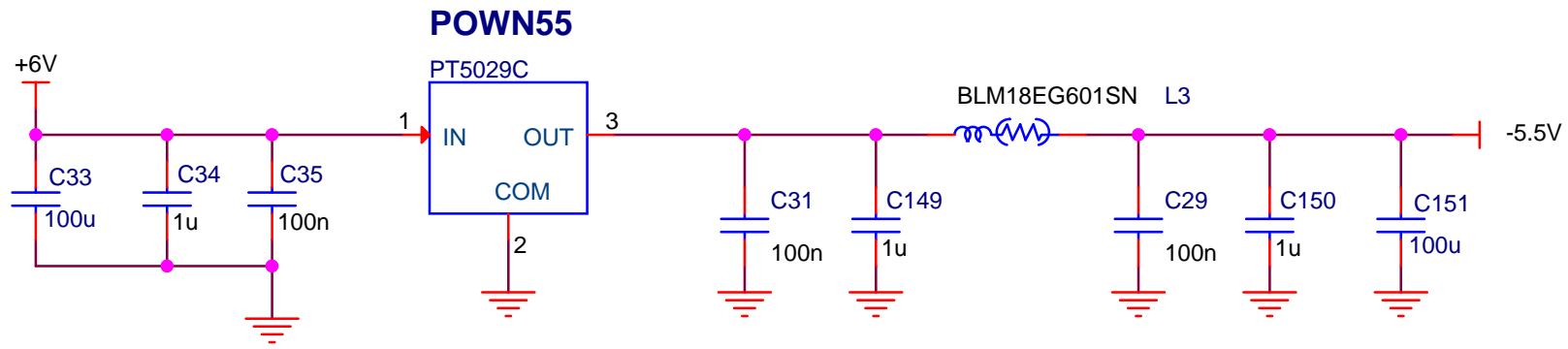




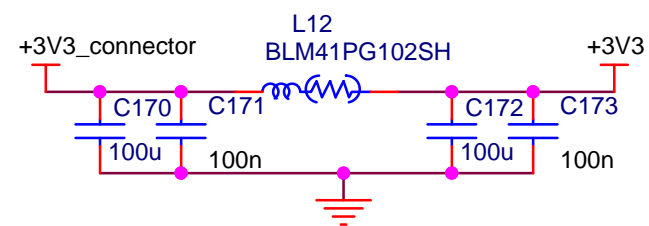
Gesellschaft für Schwerionenforschung mbH  
 Planckstrasse 1  
 D-64291 Darmstadt  
 GERMANY  
 www.gsi.de

## 05\_TRB\_CONNECTOR

Design: K:\GSIJOB\HADES\TRBV3\MULTITESTADDON1\MULTITESTADDON1.DSN	Size: A4	Page: 5 / 13
Modified: Wednesday, January 04, 2012	Designer: M.Kajetanowicz      Layouter: S.Voltz	

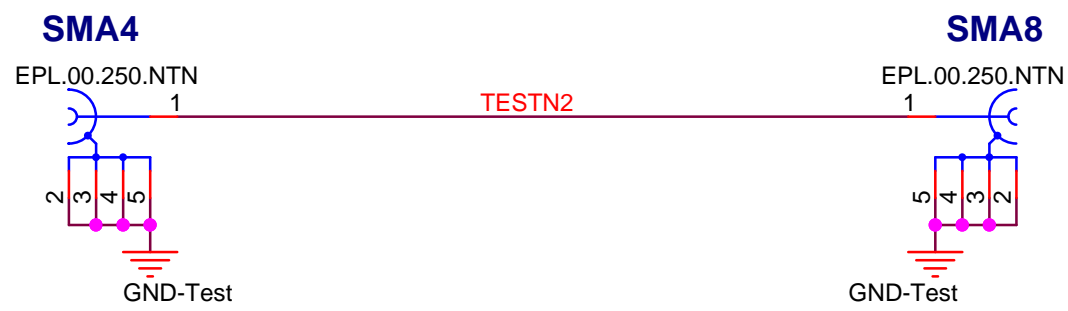
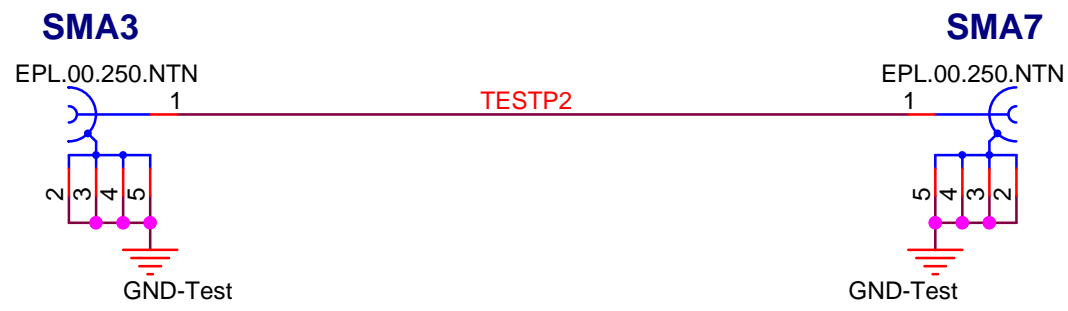
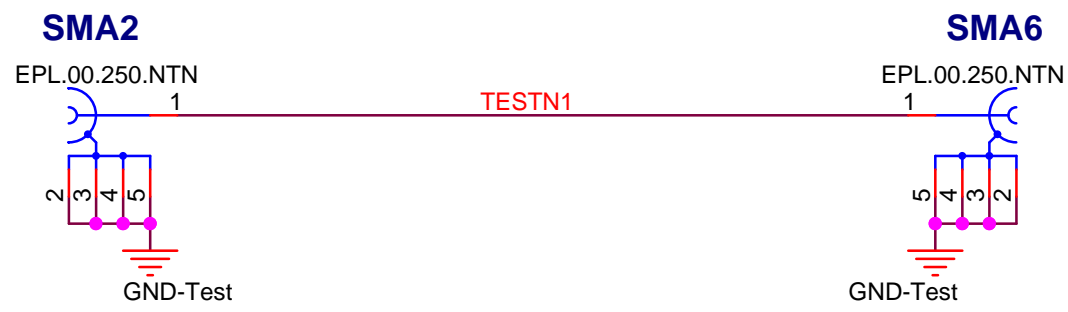


Power for the two ADCs, they need around 600mA each...

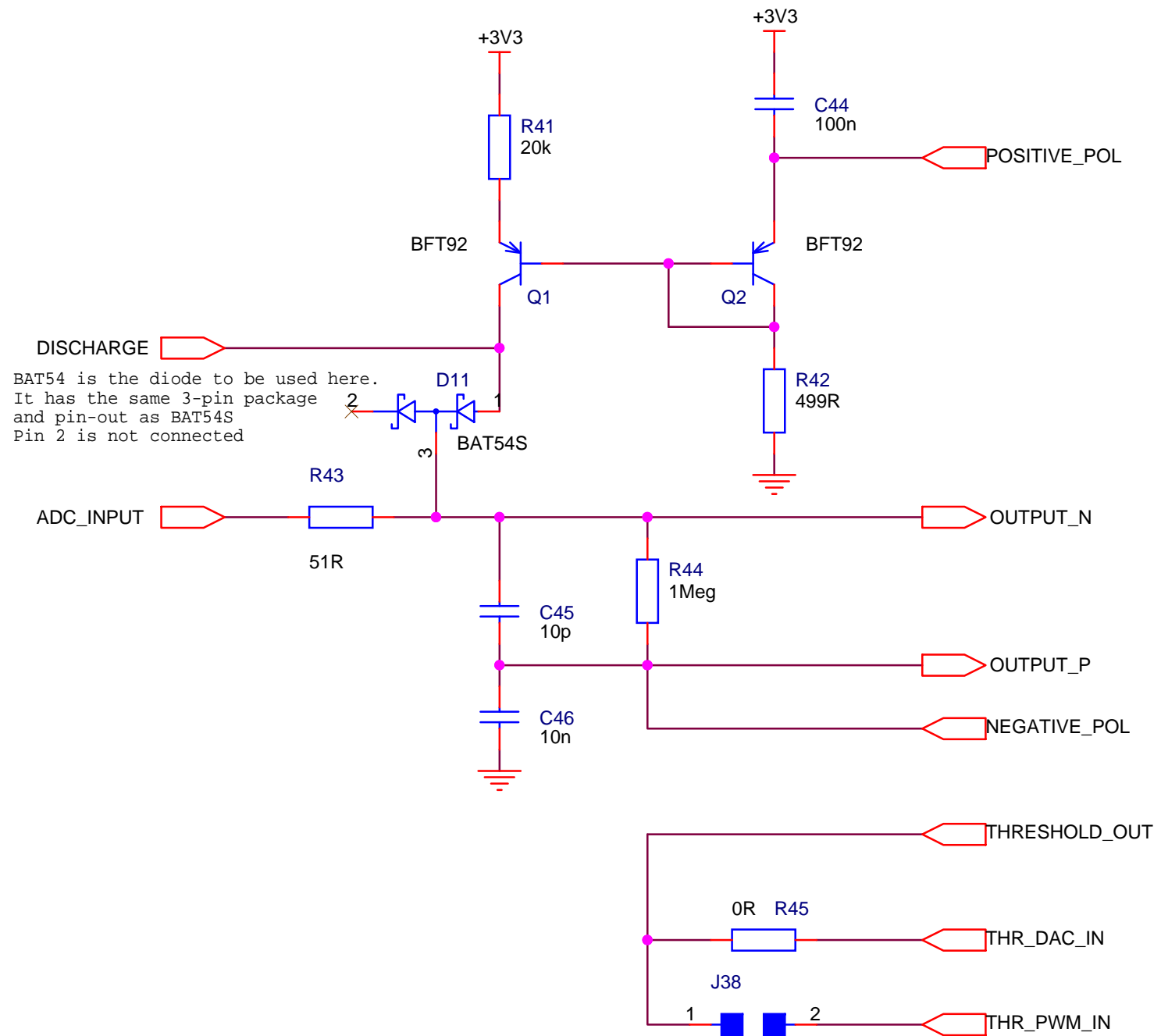


**GSI** Gesellschaft für Schwerionenforschung mbH  
 Planckstrasse 1  
 D-64291 Darmstadt  
 GERMANY  
 www.gsi.de

## 06\_SUPPLY

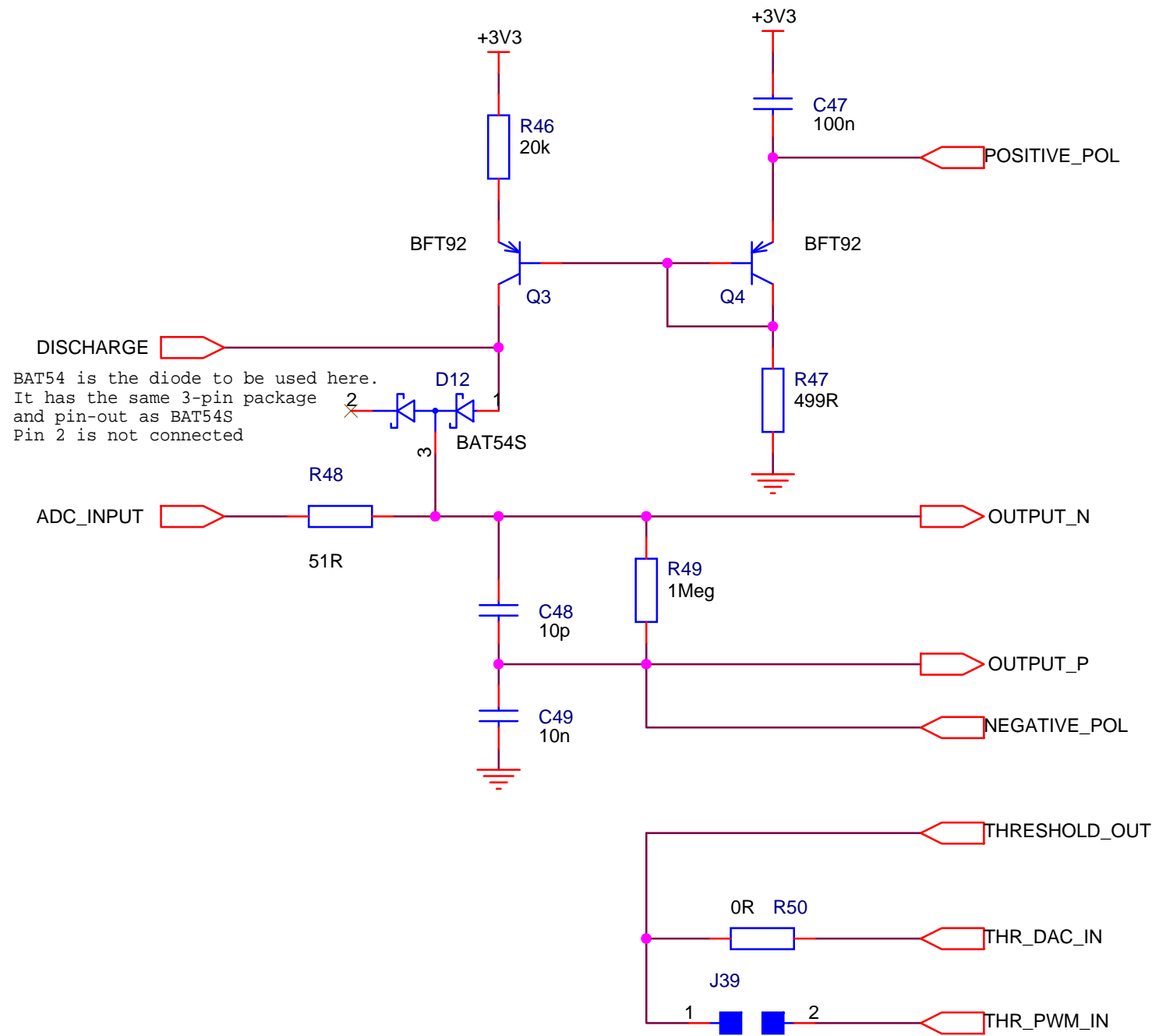


	Gesellschaft für Schwerionenforschung mbH Planckstrasse 1 D-64291 Darmstadt GERMANY <a href="http://www.gsi.de">www.gsi.de</a>	
	<b>07_TDR-Test</b>	
Design: K:\GSIJOB\HADES\TRBV3\MULTITESTADDON1\MULTITESTADDON1.DSN		
Modified: Wednesday, January 04, 2012		Size: A4 Page: 7 / 13
Designer: M.Kajetanowicz		Layouter: S.Voltz



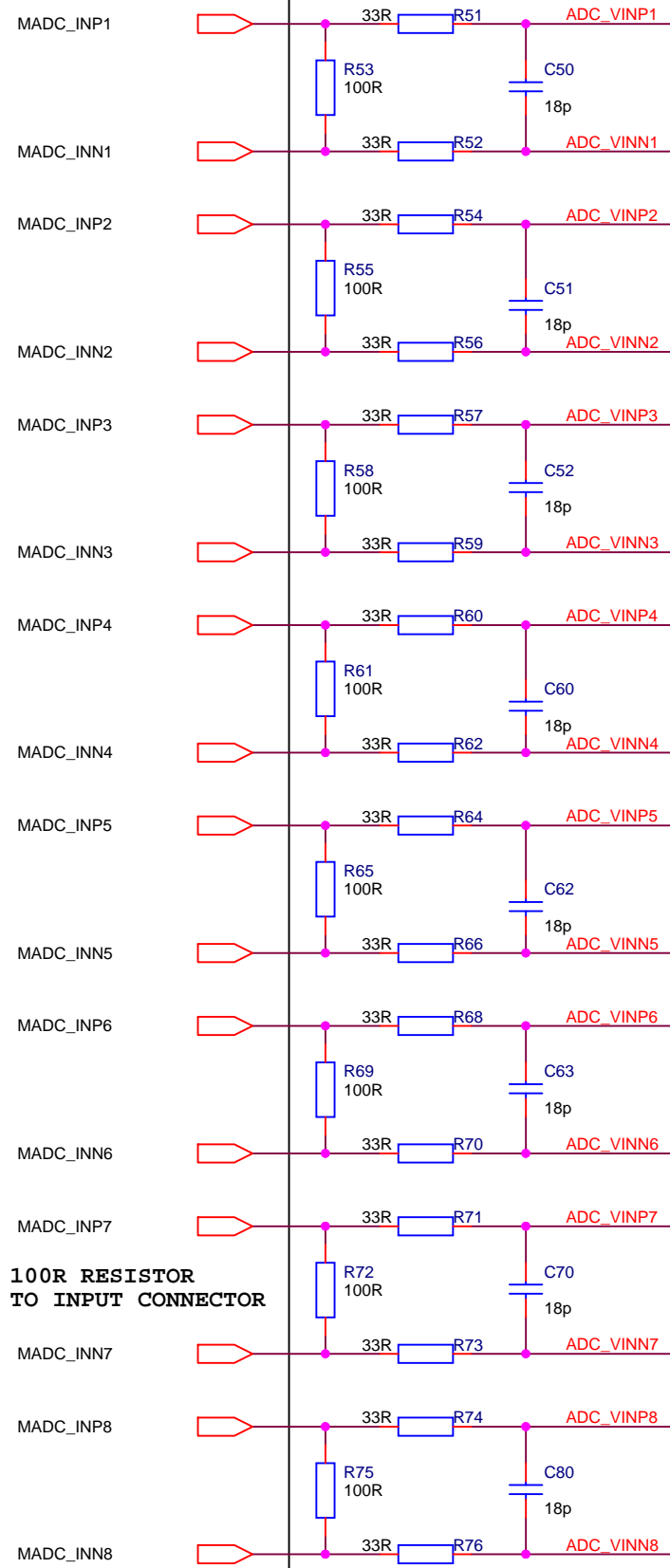
	Gesellschaft für Schwerionenforschung mbH Planckstrasse 1 D-64291 Darmstadt GERMANY <a href="http://www.gsi.de">www.gsi.de</a>	
	<h2>KONRAD_ADC</h2>	
Design: K:\GSIJOB\HADES\TRBV3\MULTITESTADDON1\MULTITESTADDON1.DSN		
Modified: Wednesday, January 04, 2012		Size: A4 Page: 8 / 13
Designer: M.Kajetanowicz		Layouter: S.Voltz





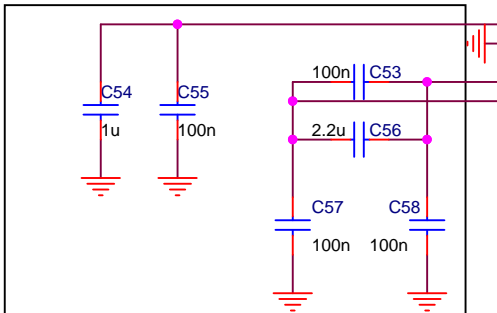
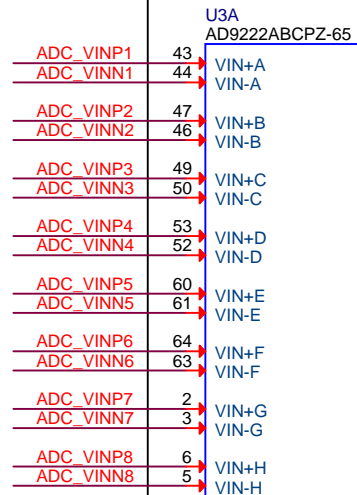
	Gesellschaft für Schwerionenforschung mbH Planckstrasse 1 D-64291 Darmstadt GERMANY www.gsi.de	
	<h2>KONRAD_ADC</h2>	
Design: K:\GSIJOB\HADES\TRBV3\MULTITESTADDON1\MULTITESTADDON1.DSN		
Modified: Wednesday, January 04, 2012		Size: A4 Page: 9 / 13
Designer: M.Kajetanowicz		Layouter: S.Voltz

ALL PIRS HERE ARE DIFFERENTIAL



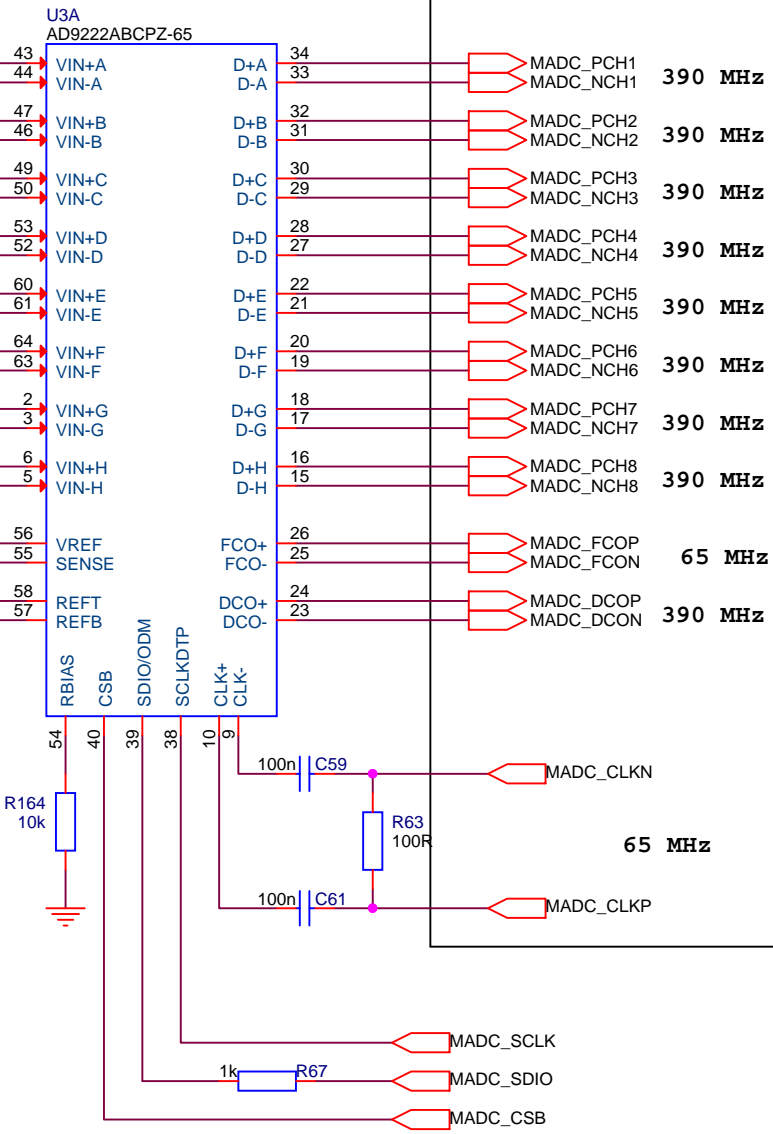
PLACE 100R RESISTOR CLOSE TO INPUT CONNECTOR

ALL SIGNALS HERE ARE DIFFERENTIAL

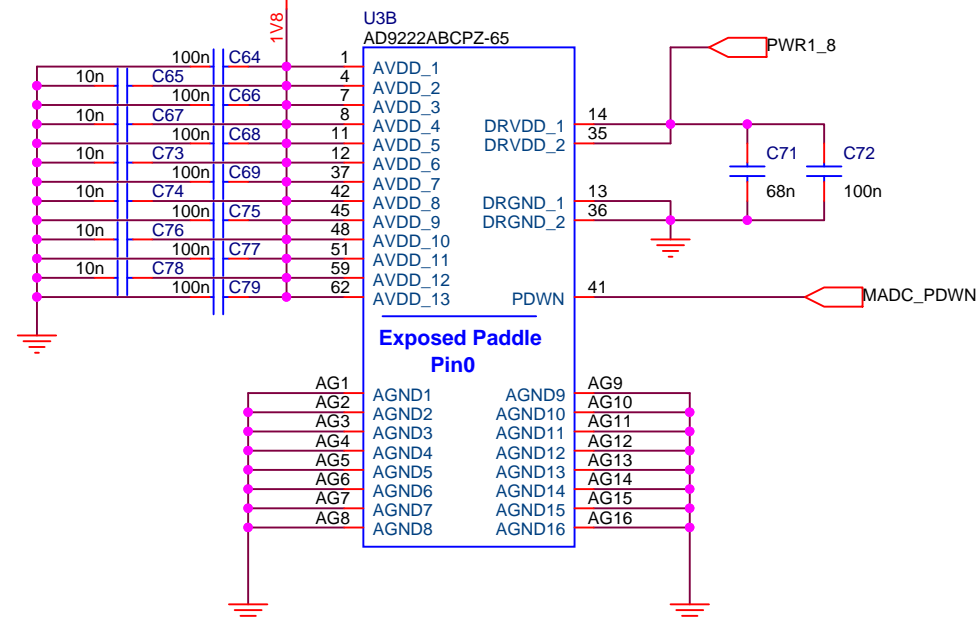
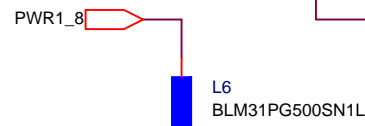


THOSE CAPACITORS SHOULD BE CLOSE TO ADC AND ON THE SAME PCB LAYER AS ADC

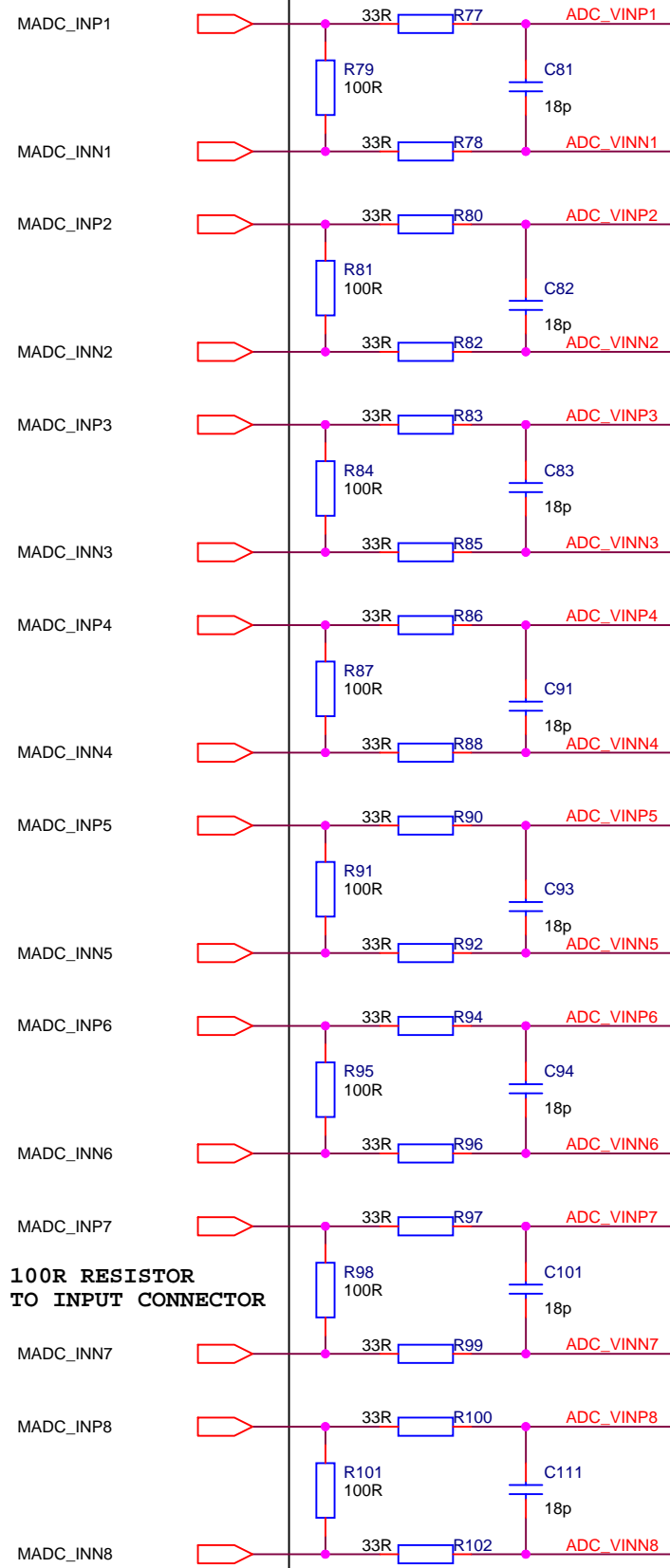
ALL SIGNALS HERE ARE DIFFERENTIAL



65 MHz

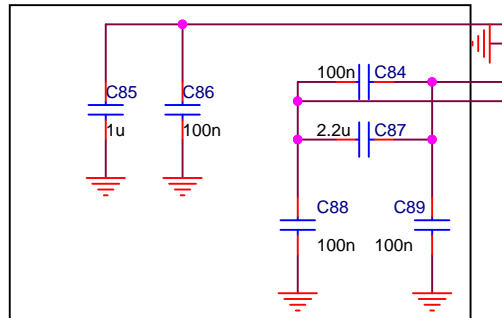
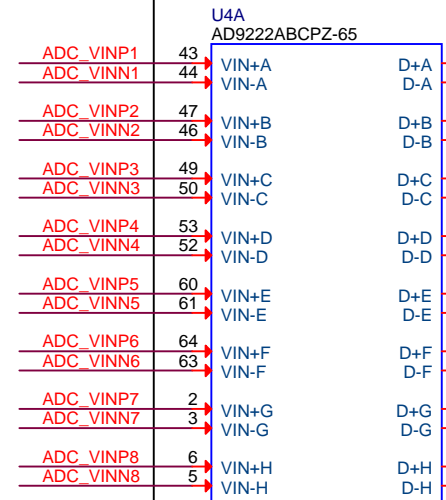


ALL PIRS HERE ARE DIFFERENTIAL



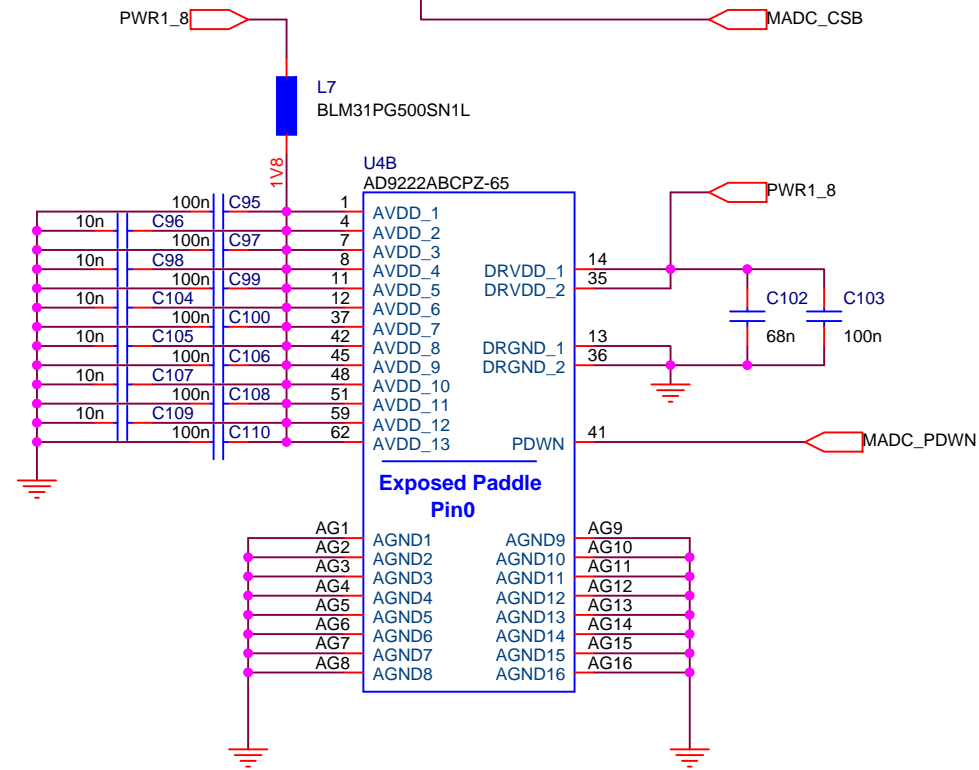
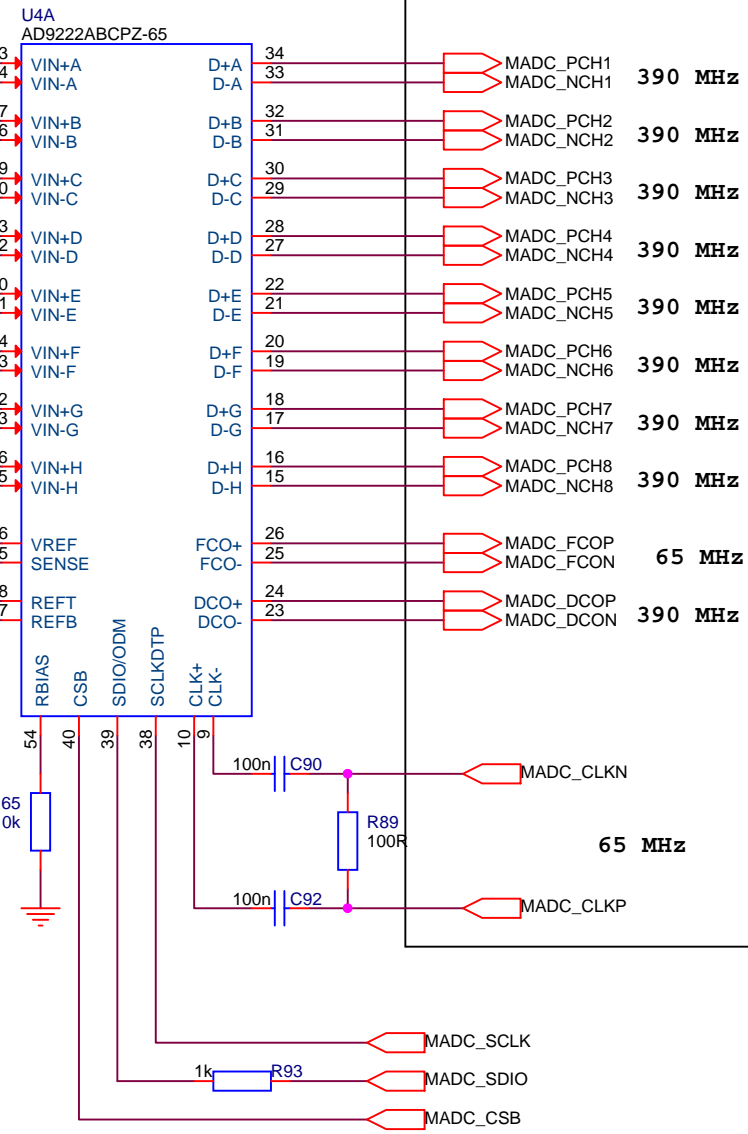
PLACE 100R RESISTOR CLOSE TO INPUT CONNECTOR

ALL SIGNALS HERE ARE DIFFERENTIAL



THOSE CAPACITORS SHOULD BE CLOSE TO ADC AND ON THE SAME PCB LAYER AS ADC

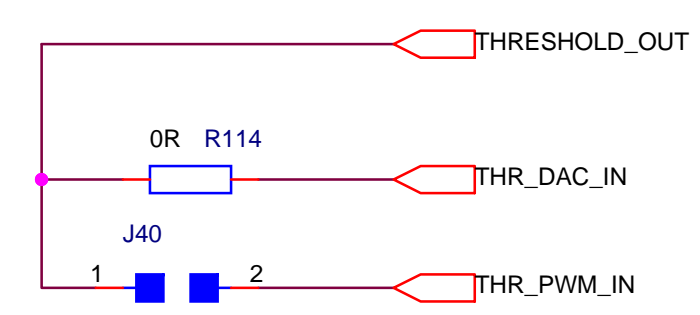
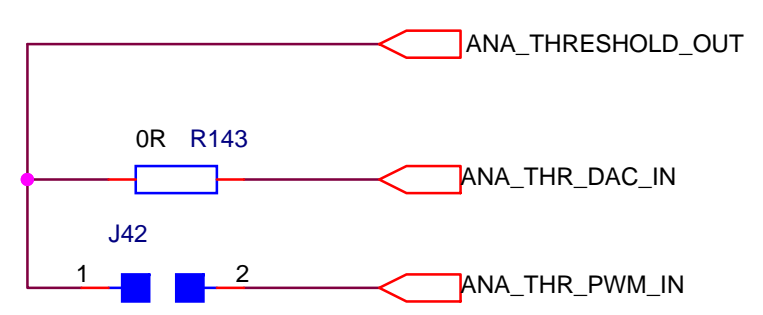
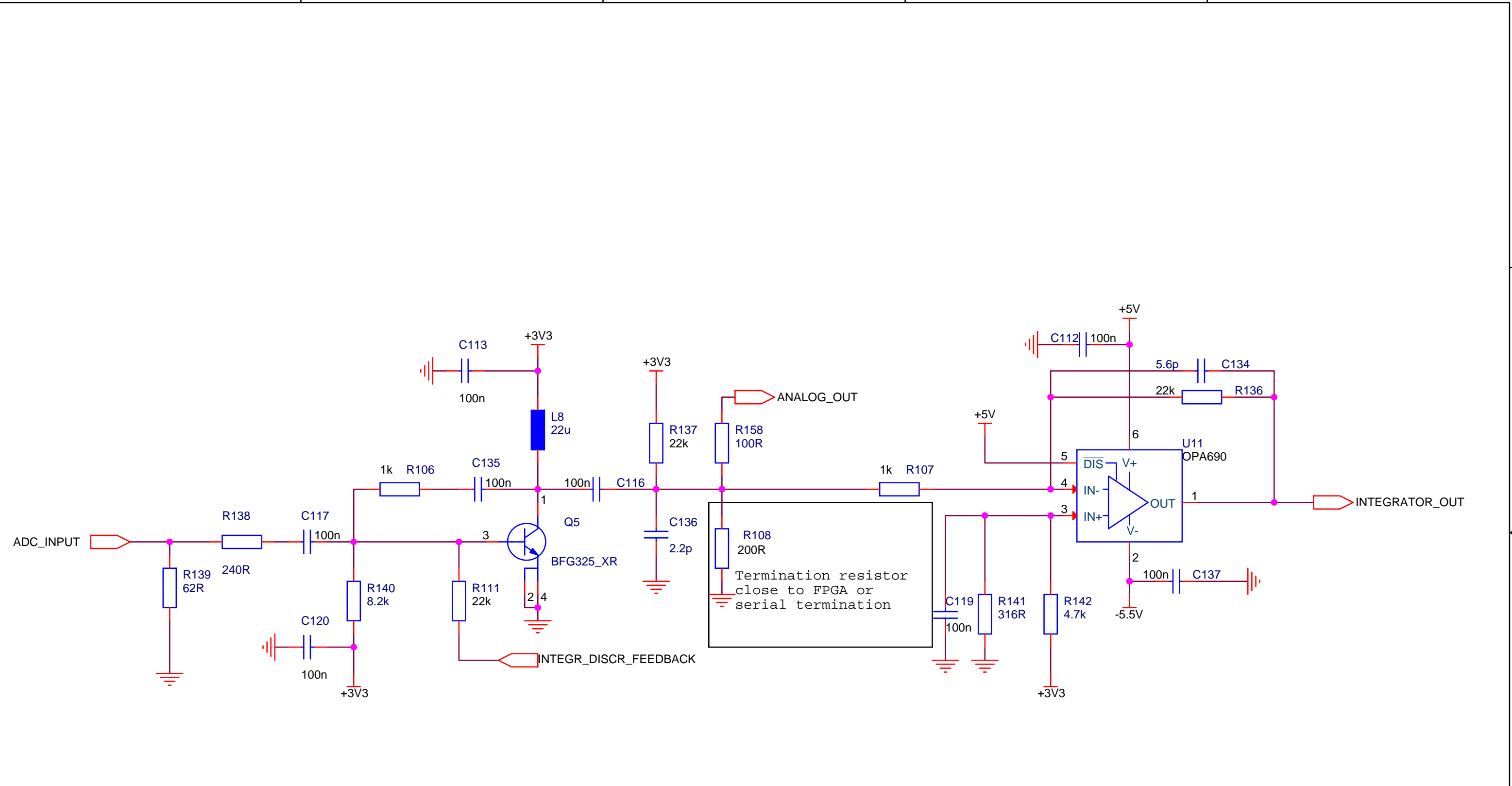
ALL SIGNALS HERE ARE DIFFERENTIAL



**GSI** Gesellschaft für Schwerionenforschung mbH  
 Planckstrasse 1  
 D-64291 Darmstadt  
 GERMANY  
 www.gsi.de

**MULTICHANNEL ADC**

Design: K:\GSI\JOB\HADES\TRBV3\MULTITESTADDON1\MULTITESTADDON1.DSN  
 Modified: Wednesday, January 04, 2012 Size: A3 Page: 11/ 13  
 Designer: M.Kajetanowicz Layouter: S.Voltz

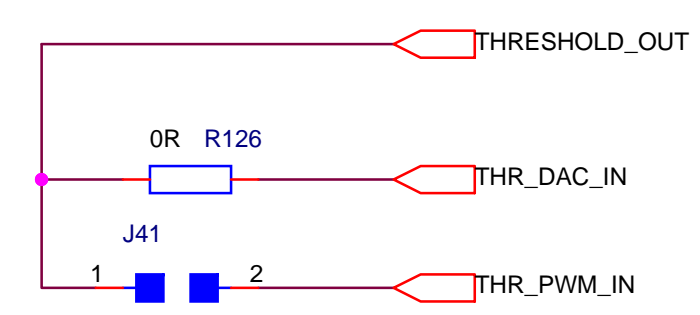
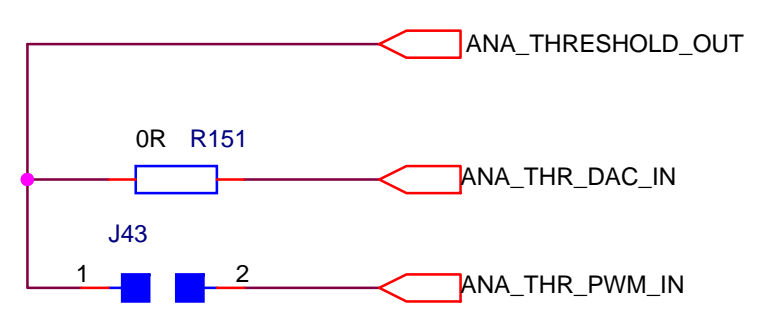
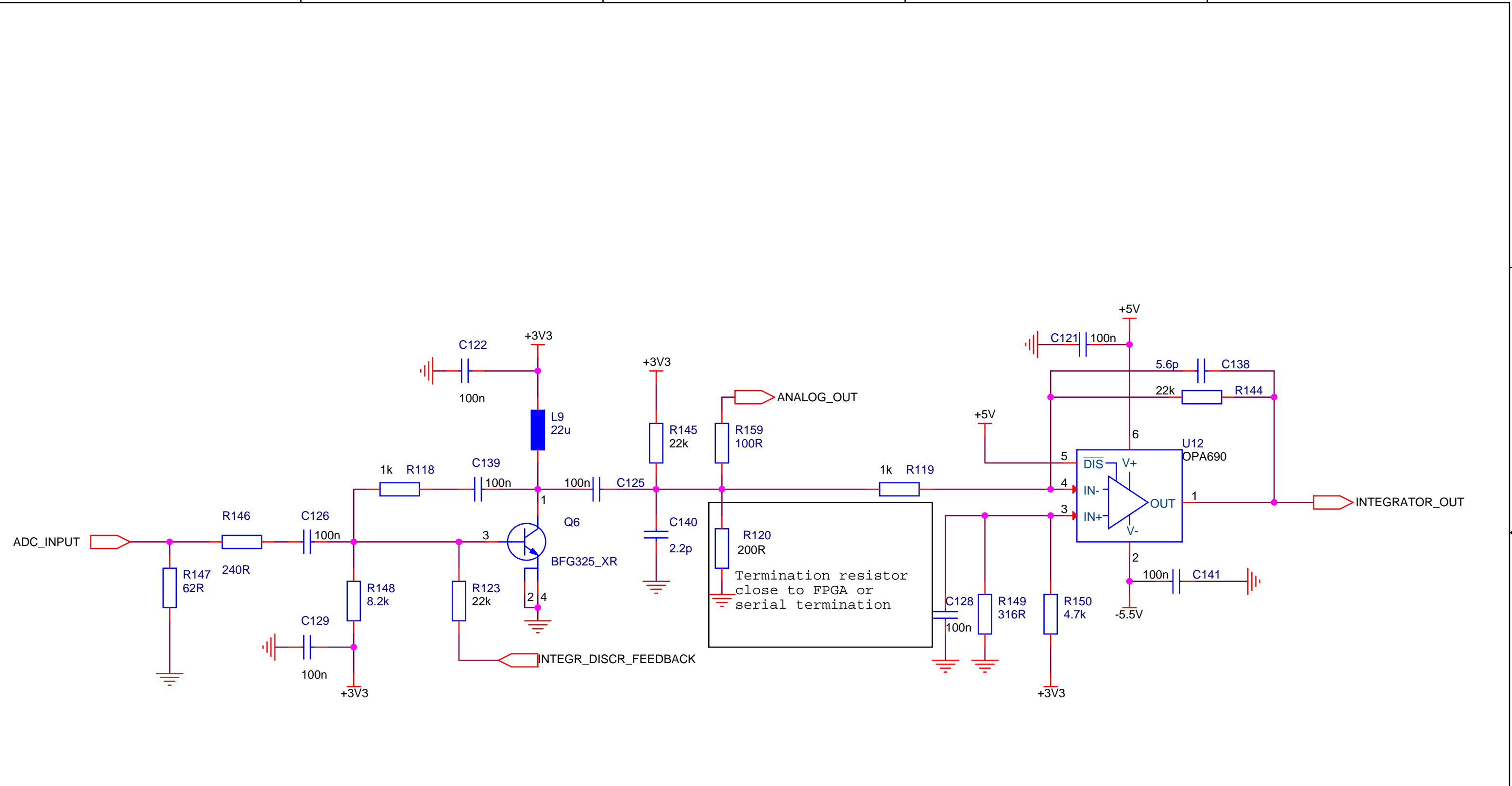




Gesellschaft für Schwerionenforschung mbH  
Planckstrasse 1  
D-64291 Darmstadt  
GERMANY  
www.gsi.de

## WOLFGANG\_ADC

Design: K:\GSIJOB\HADES\TRBV3\MULTITESTADDON1\MULTITESTADDON1.DSN	
Modified: Wednesday, January 04, 2012	Size: A4 Page: 12/ 13
Designer: M.Kajetanowicz	Layouter: S.Voltz



**GSI** Gesellschaft für Schwerionenforschung mbH  
 Planckstrasse 1  
 D-64291 Darmstadt  
 GERMANY  
 www.gsi.de

# WOLFGANG\_ADC

Design: K:\GSIJOB\HADES\TRBV3\MULTITESTADDON1\MULTITESTADDON1.DSN	Size: A4	Page: 13/ 13
Modified: Wednesday, January 04, 2012	Designer: M.Kajetanowicz	Layouter: S.Voltz