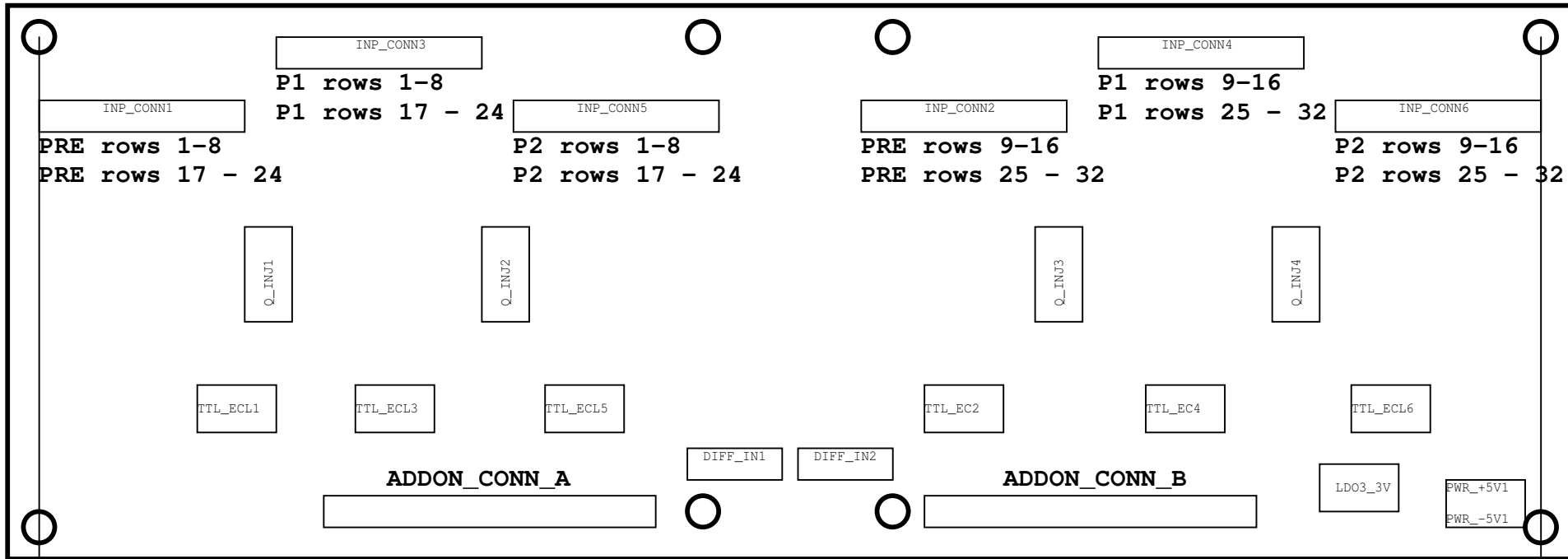


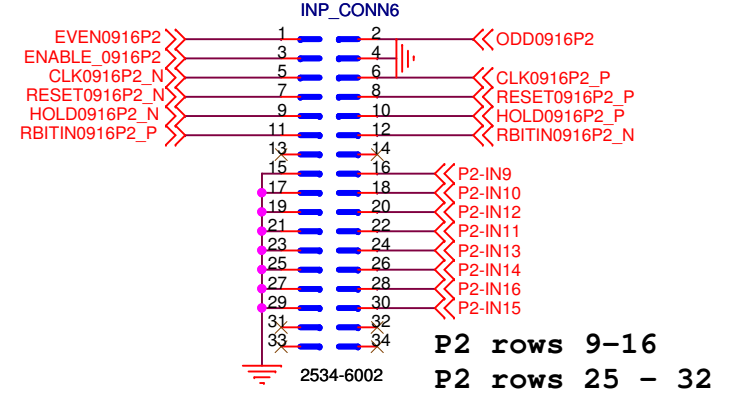
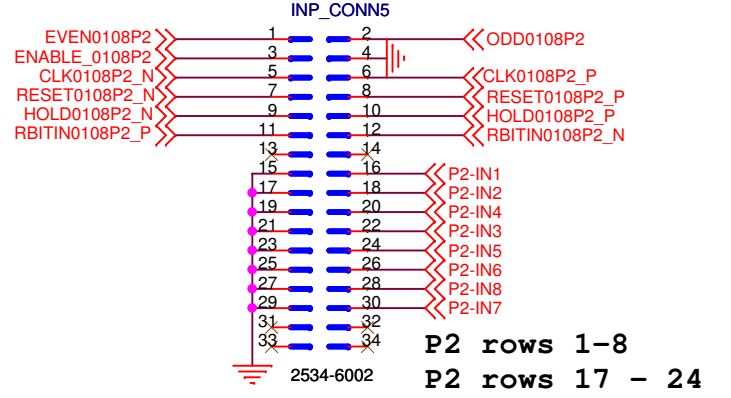
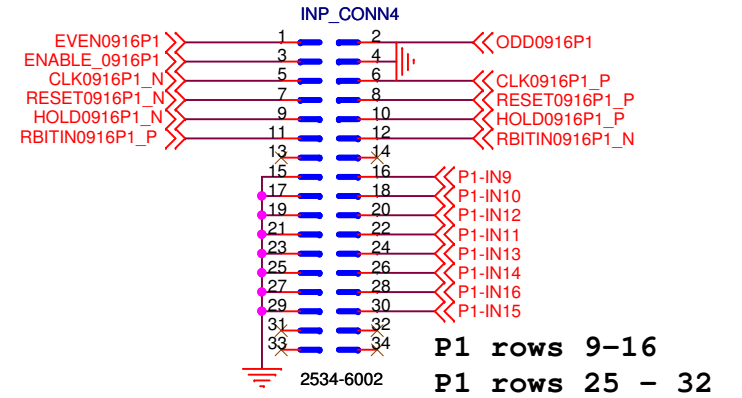
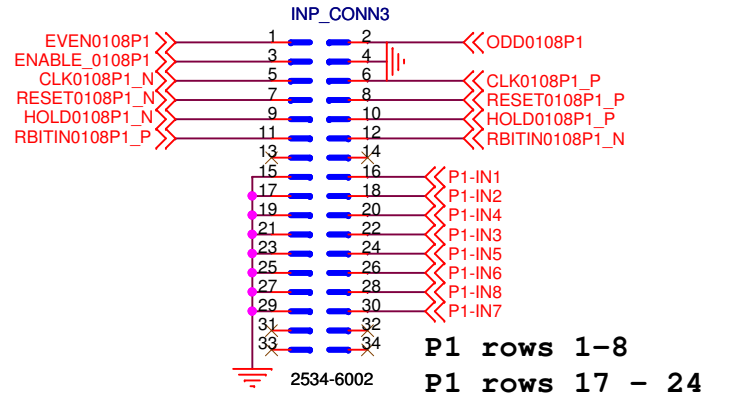
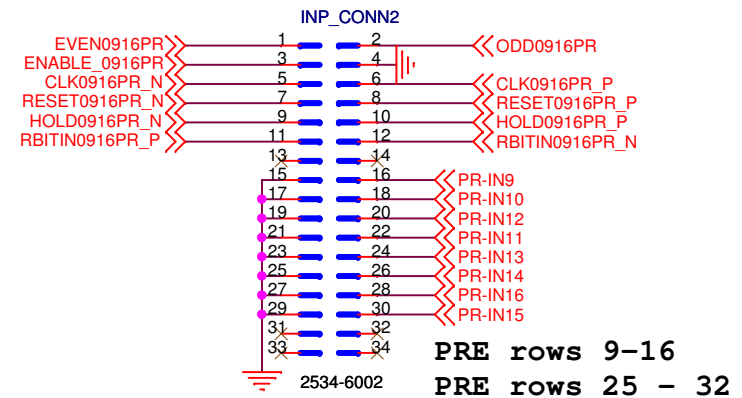
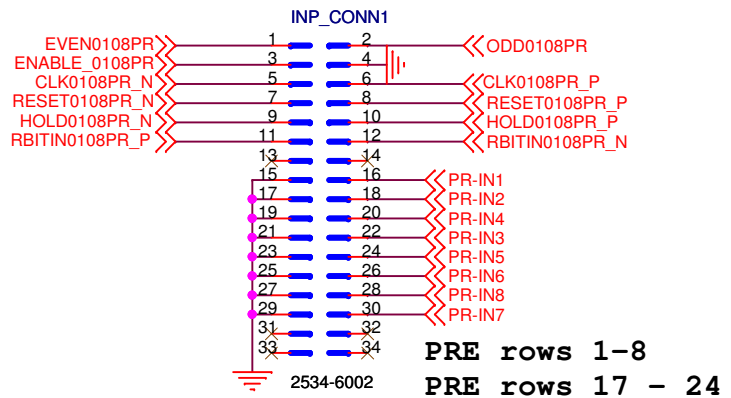
○ mounting hole, diameter 3.5 mm

COMPONENTS AND LOCATIONS NOT TO SCALE



approx. 335 mm

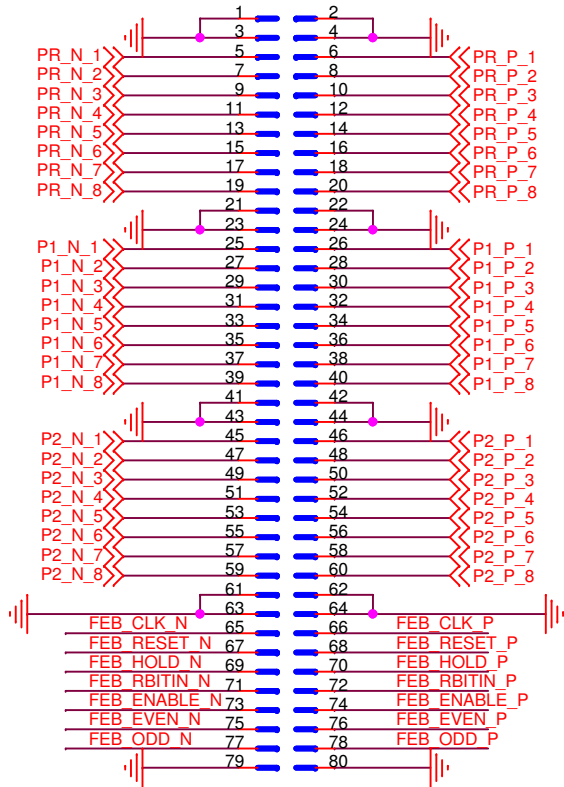
Title			00_LAYOUT		
Size	Document Number		Rev		
A4	<Doc>		<Rev>		
Date:	Thursday, October 15, 2009	Sheet	1	of	12



Title			01_DETECTOR_CONNS		
Size	Document Number				Rev
A4	<Doc>				<RevC>
Date:	Monday, November 02, 2009	Sheet	2	of	12

ADDON_A1

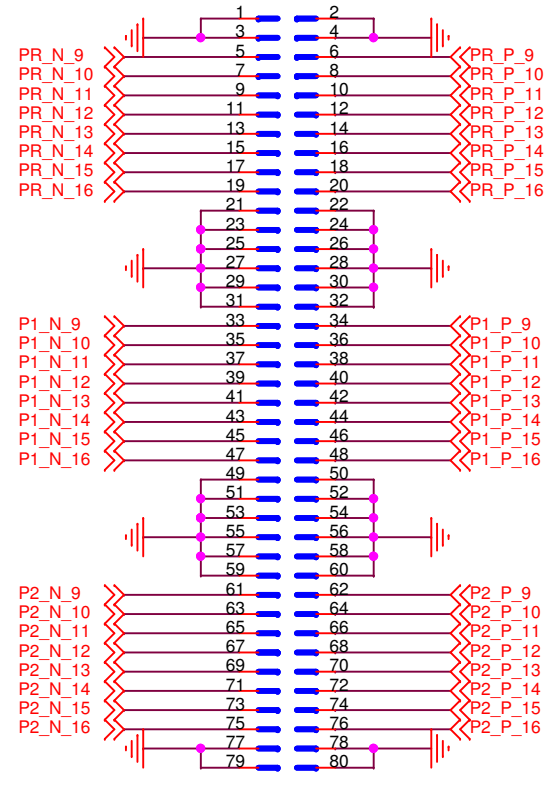
A: rows 1 - 8
17 - 24



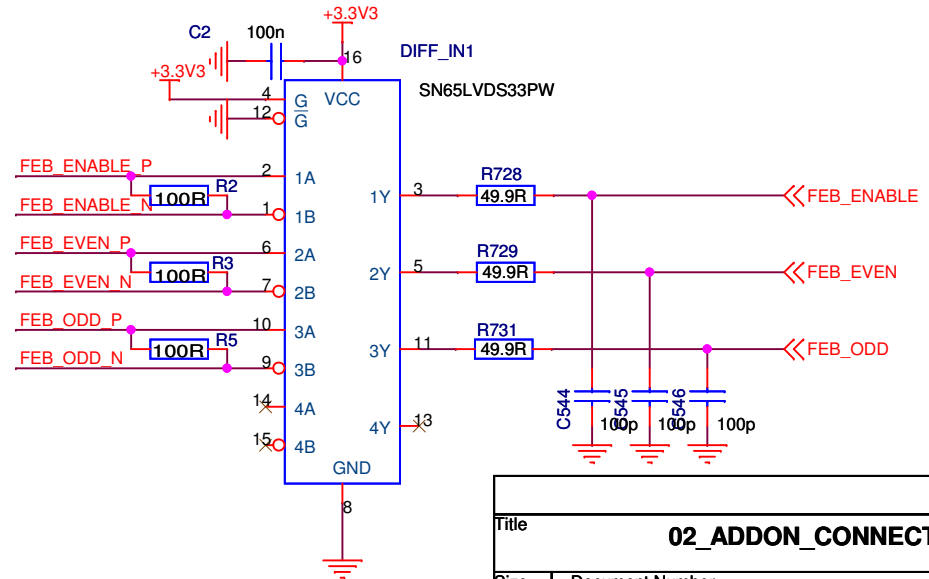
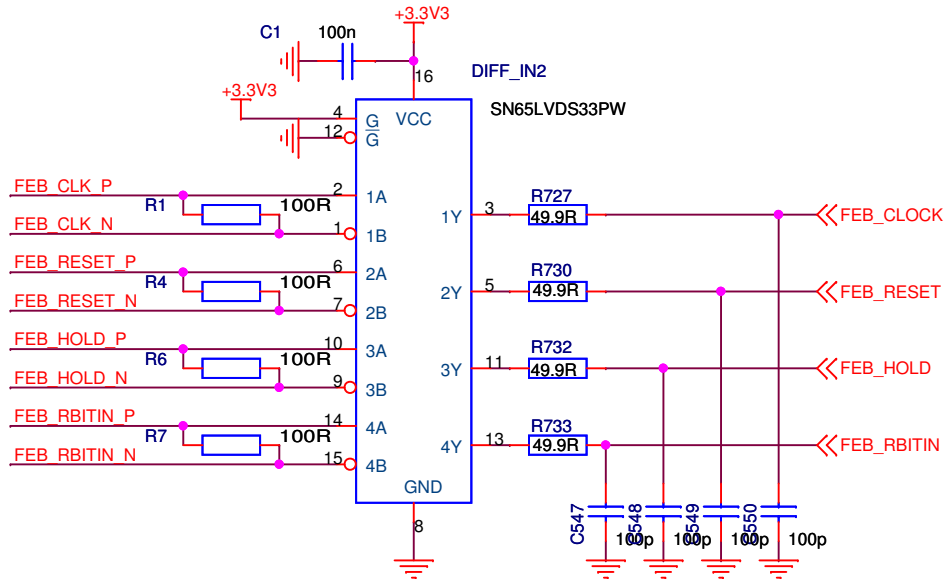
8930E-080-178-MS

ADDON_B1

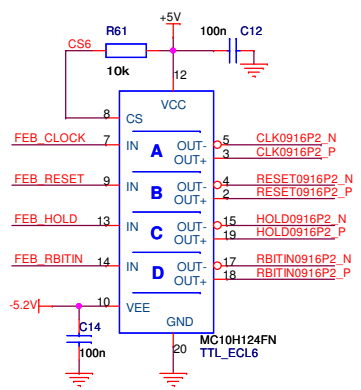
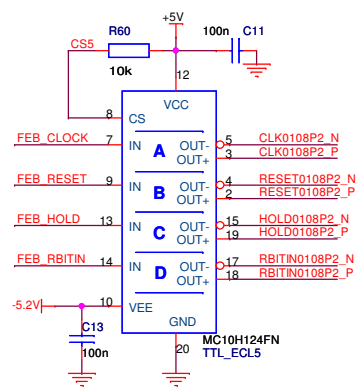
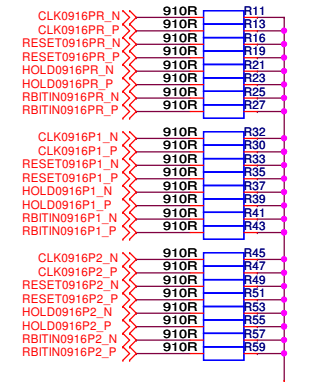
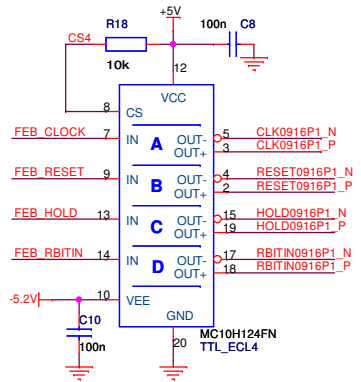
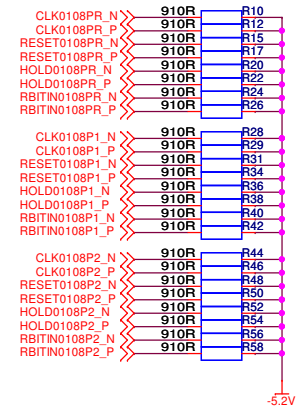
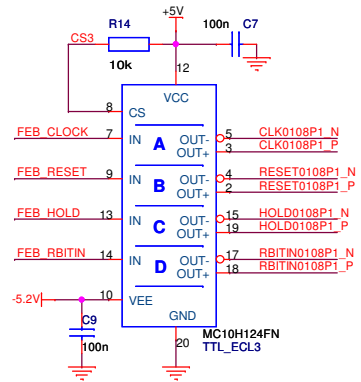
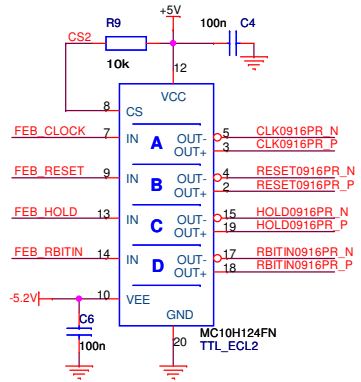
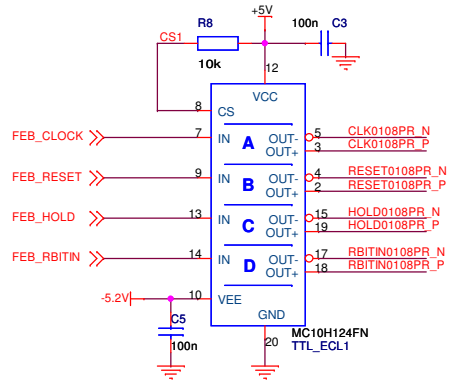
B: rows 9 - 16
25 - 32

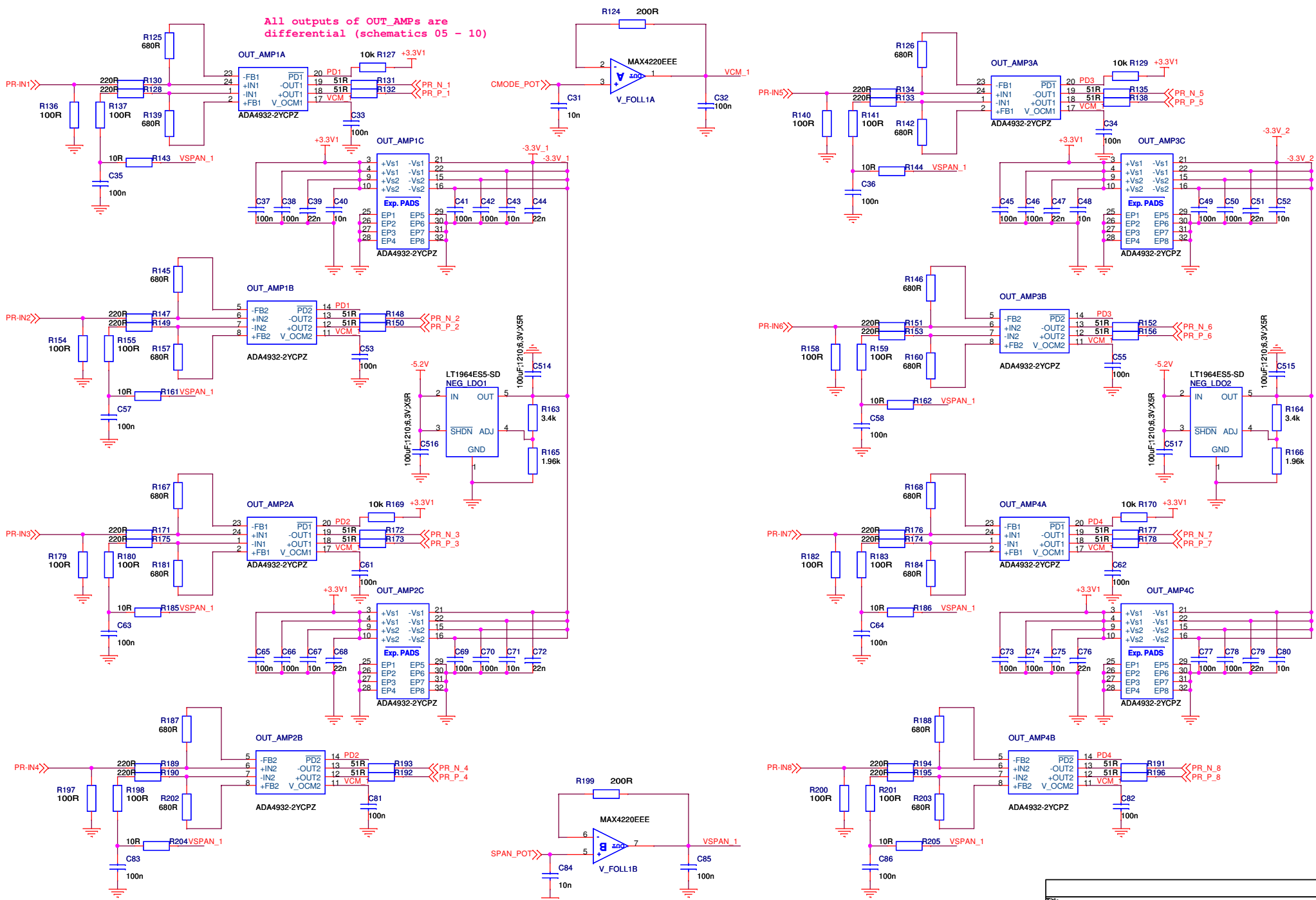


8930E-080-178-MS

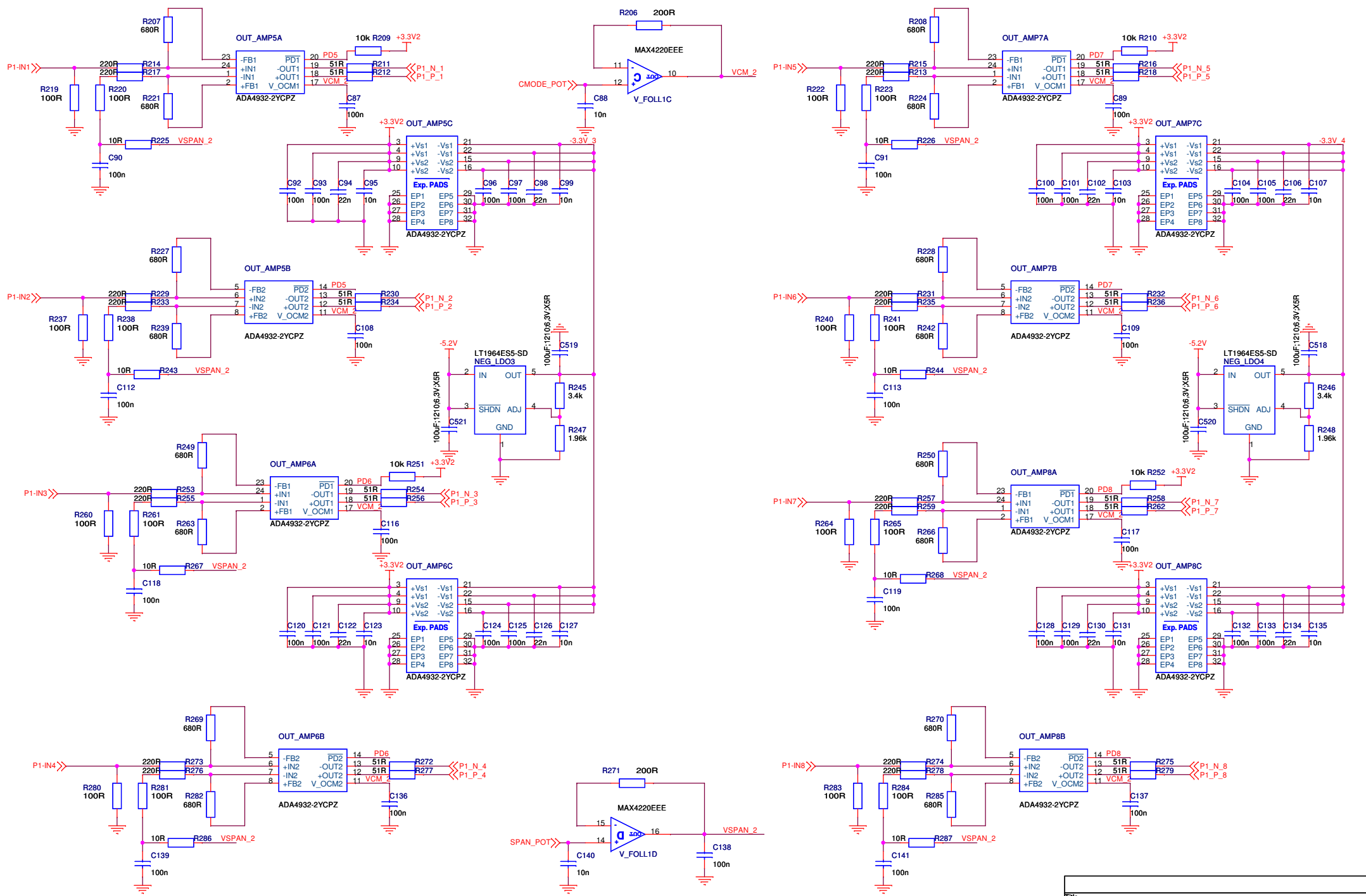


Title			02_ADDON_CONNECTORS		
Size	Document Number				Rev
A4	<Doc>				<RevC>
Date:	Wednesday, November 04, 2009	Sheet	3	of	12

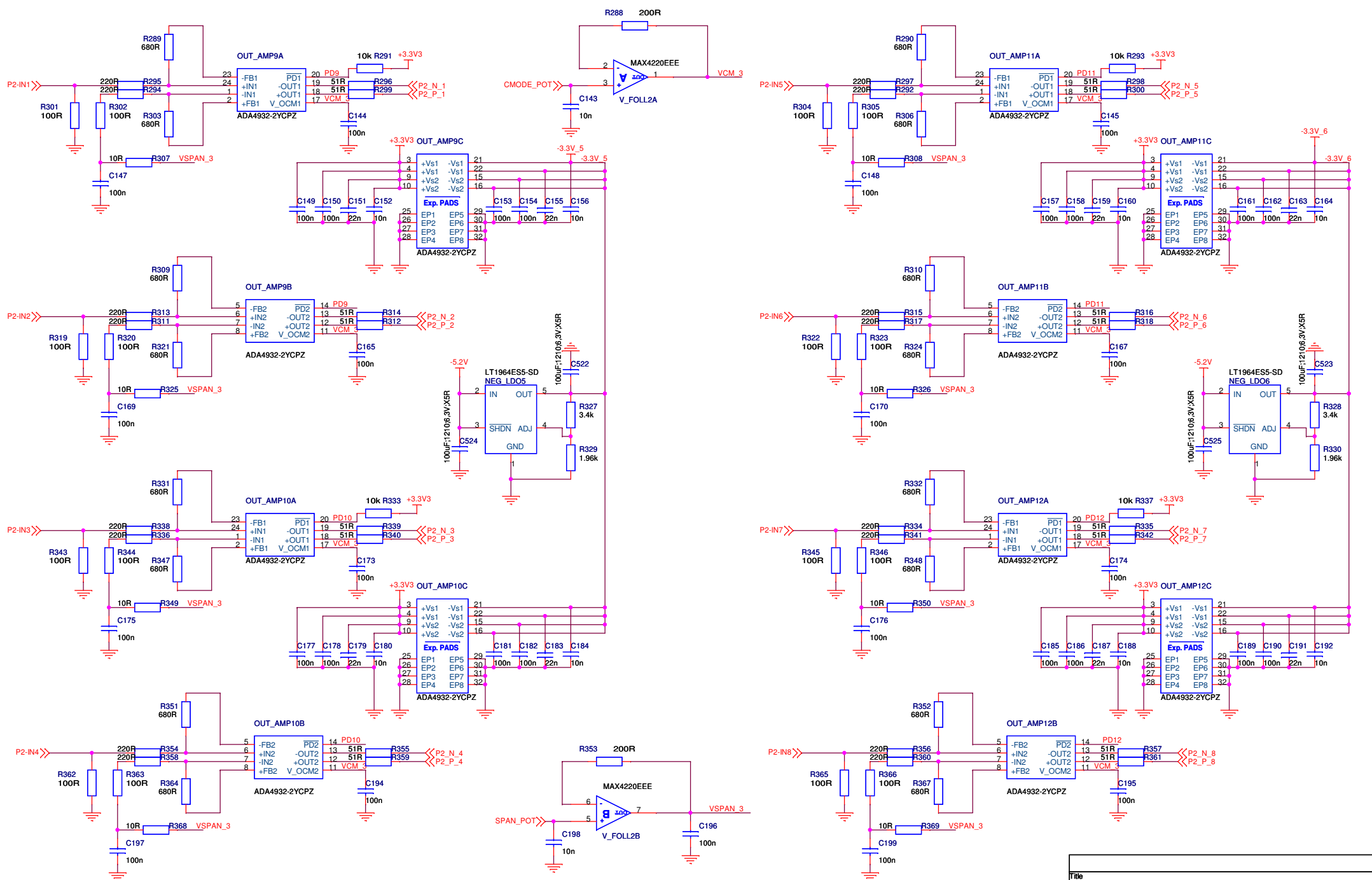




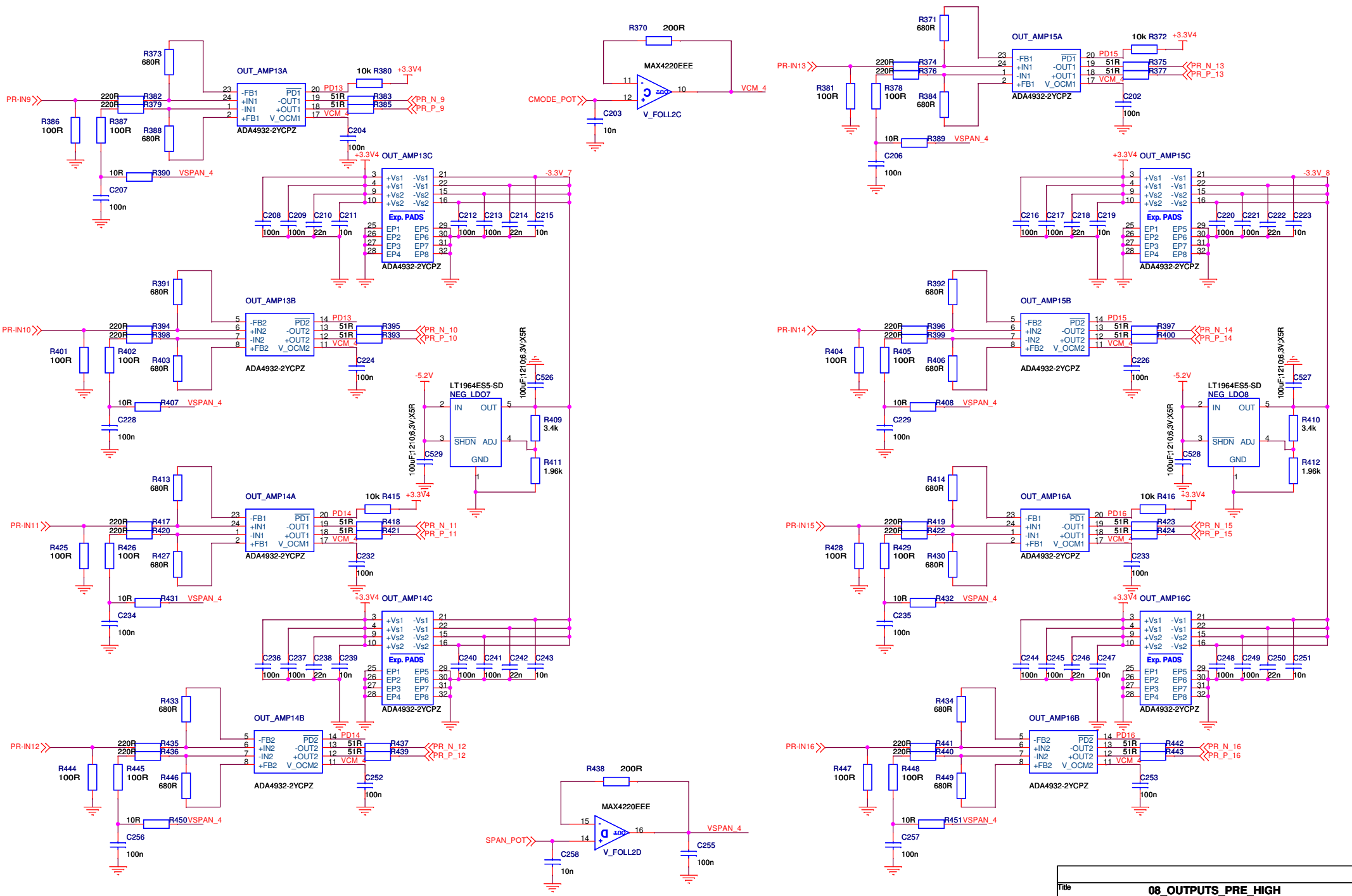
Title			05_OUTPUTS_PRE_LOW
Size	Document Number	Rev	
A3	<Doc>	<Rev Code>	
Date:	Wednesday, February 24, 2010	Sheet	6 of 12



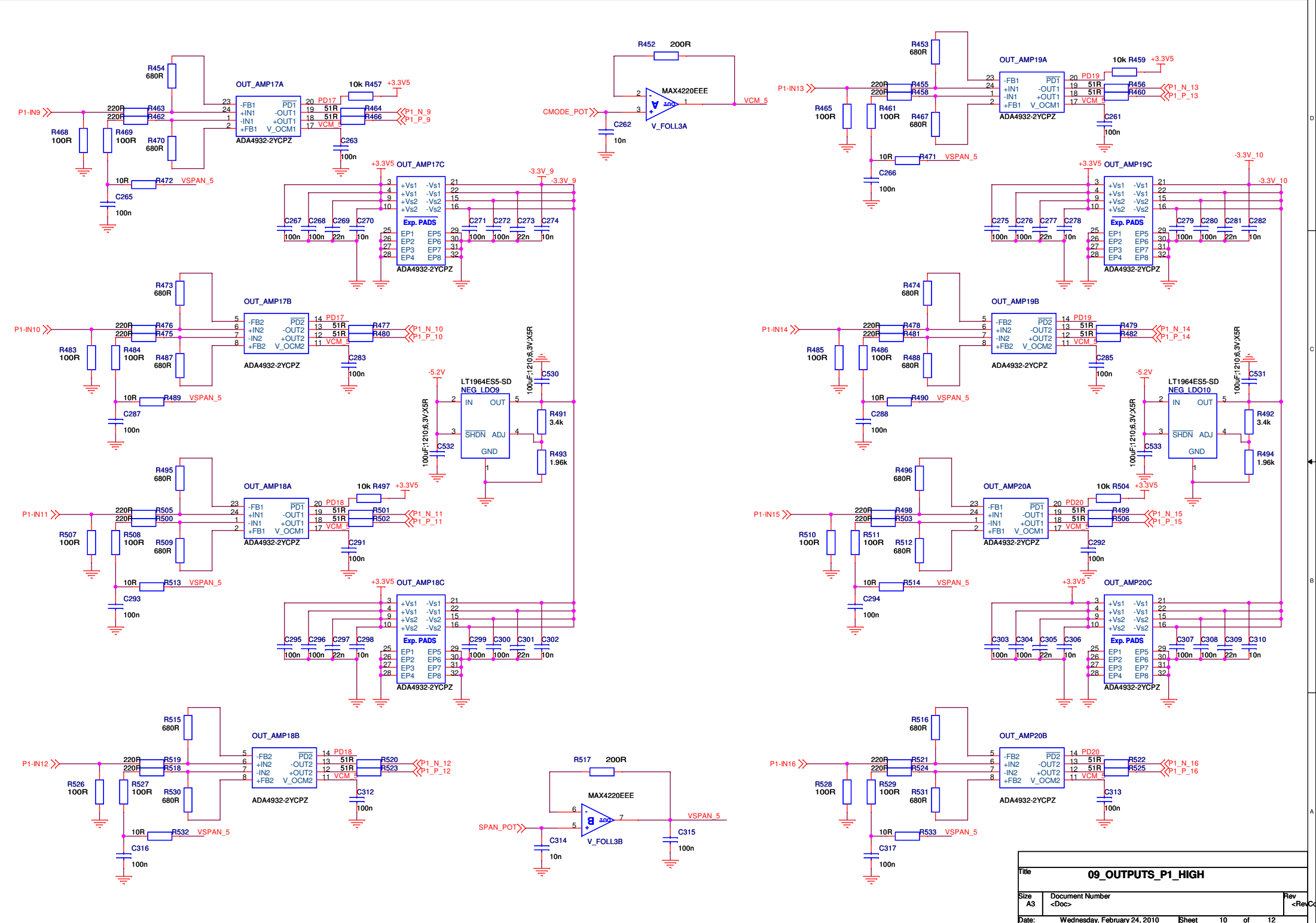
Title			06_OUTPUTS_P1_LOW		
Size	A3	Document Number	<Doc>		Rev
Date:	Wednesday, February 24, 2010		Sheet	7	of 12



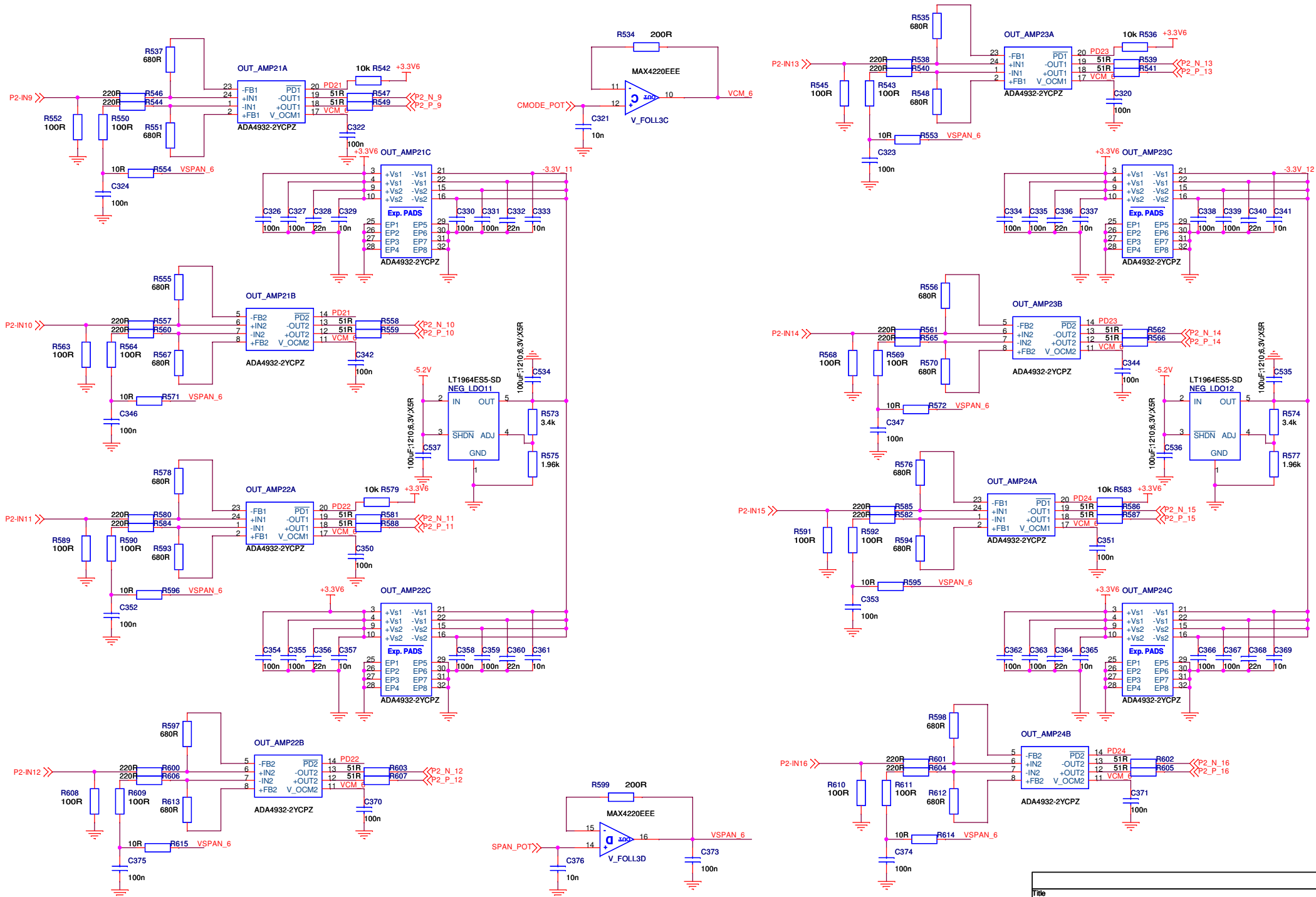
Title		07_OUTPUTS_P2_LOW	
Size	A3	Document Number	<Doc>
Date:	Wednesday, February 24, 2010	Sheet	8 of 12



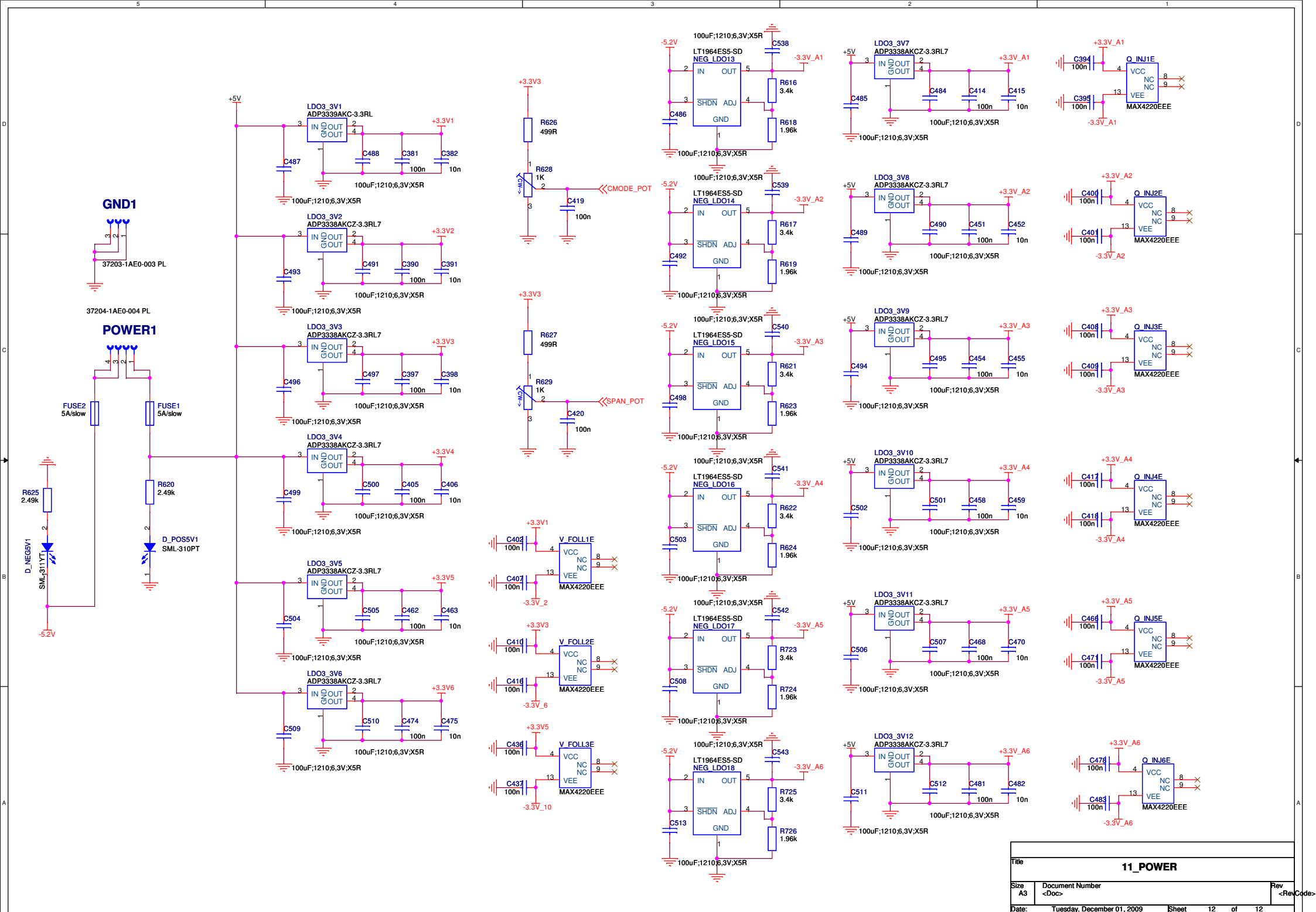
Title		08_OUTPUTS_PRE_HIGH	
Size	A3	Document Number	<Doc>
Date:	Wednesday, February 24, 2010	Sheet	9 of 12
Rev	<Rev Code>		



Title		09_OUTPUTS_P1_HIGH	
Size	A3	Document Number	<Doc>
Date:	Wednesday, February 24, 2010	Sheet	10 of 12
Rev	<Rev Code>		



Title		
10_OUTPUTS_P2_HIGH		
Size	Document Number	Rev
A3	<Doc>	<Rev Code>
Date:	Wednesday, February 24, 2010	Sheet 11 of 12



Title		11_POWER	
Size	A3	Document Number	<Doc>
Date:	Tuesday, December 01, 2009	Sheet	12 of 12
		Rev	<RevCode>